

4/4/2016

**SOME BASIC RAW DATA FOR THE LLOYD, SYMINGTON, WALKER,  
AND ALLSEBROOK FAMILIES –  
ROUGH DRAFT DATED MARCH 30 2016**

1812: 26<sup>th</sup> June banns read at St. Peter and St. Paul, Aston, Warwickshire.

N <sup>o</sup> . 81
Banns of Marriage between <i>Ashkenaz Lloyd</i>
were published on the three Sundays underwritten :
That is to say, On Sunday, the
On Sunday, the
On Sunday, the

1812: 28<sup>th</sup> December Marriage of Ashkenaz Lloyd to Nancy (Ann) Fieldhouse at St. Peter and St. Paul, Aston, Warwickshire.

N <sup>o</sup> . 1032	<i>Ashkenaz Lloyd</i> and <i>Nancy Fieldhouse</i> <sup>both</sup> of this Parish
were	
Married in this Church by <i>Banns</i>	
this <i>28<sup>th</sup></i> Day of <i>December</i> in the Year One Thousand Eight	
Hundred and <i>twelve</i> By me <i>H. P. ...</i>	
This Marriage was solemnized between Us	<i>Ashkenaz Lloyd</i> <i>Nancy Fieldhouse</i>
in the Presence of	<i>Robt. Roberts</i> <i>Mary Lloyd</i>

1814: 7<sup>th</sup> February baptism of Catherine, daughter of Ashkenaz and Nancy (Fieldhouse) Lloyd. She was born on 6<sup>th</sup> October 1813. Their 'abode' is Lionel Street, Birmingham and Ashkenaz is a Steel Toy Maker.

Page 196.

BAPTISMS solemnized in the Parish of <i>St Philip Birmingham</i> in the County of <i>Warwick</i> in the Year 1814						
When Baptized.	Child's Christian Name.	Parents Name.		Abode.	Quality, Trade, or Profession.	By whom the Ceremony was performed.
		Christian.	Surname.			
1814 28 <sup>th</sup> Oct No. 1361.	<i>Catherine</i> <i>Daughter of</i>	<i>Ashkenaz</i>	<i>Lloyd</i>	<i>Little Colmore Street</i> <i>Birm</i>	<i>Steel Toy Maker</i>	<i>E. Dubon</i>
	<i>born Oct 2<sup>nd</sup> 1813</i>	<i>Nancy</i>				

1814: Ashkenaz Gustavus Lloyd was born on 2<sup>nd</sup> November at Little Colmore Street, Birmingham.

1816: Ann Amelia Lloyd was born on 4<sup>th</sup> October at Little Colmore Street, Birmingham.

1816: Ashkenaz Gustavus and Ann Amelia were baptized on the same day: 28<sup>th</sup> October at St. Phillips, Birmingham. Father: Ashkenaz Lloyd (steel toy maker) and mother Ann.

1816 28 <sup>th</sup> Oct No. 2170	<i>Ann Amelia</i> <i>Daughter of</i>	<i>Ashkenaz</i>	<i>Lloyd</i>	<i>Little Colmore Street</i>	<i>Steel Toy Maker</i>	<i>J. Chapman</i>
	<i>born Oct 4<sup>th</sup> 1816</i>	<i>Ann</i>				
1814 28 <sup>th</sup> Oct No. 2171	<i>Ashkenaz's</i> <i>son of</i>	<i>Ashkenaz</i>	<i>Lloyd</i>	<i>Severn Street</i>	<i>W. Chapman</i>	
	<i>born Oct 2<sup>nd</sup> 1814</i>	<i>Ann</i>				

1818: May 22<sup>nd</sup> at St. Mary, Birmingham *Burial* of Ashkenaz Gustavus Lloyd aged 3 years.

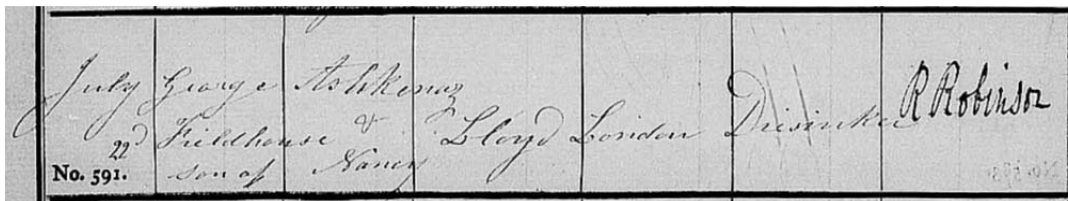
<i>Ashkenaz Gustavus</i> <i>son of</i>	<i>Little Hill Street</i>	<i>Aug 22 3</i>	<i>E. Burin</i>
<i>Ashkenaz Lloyd</i>			
No. 2356			

Another Lloyd family headed by an Alexander Lloyd has been found at Willenhall in Staffordshire, which is about 30 miles from Birmingham. He is a Locksmith and Padlock manufacturer. The two Lloyd families *may have been* connected, but this has to be confirmed. Alexander Lloyd *could have been* a brother of Ashkenaz Lloyd - there was one year between

4/4/2016

them based on the 1841 census where Ashkenaz is 44 and Alexander is 45. For now we ignore the Alexander Lloyd family.

1830: 22<sup>nd</sup> July, baptism of George Fieldhouse Lloyd, son of Ashkenaz & Nancy, Diesinker of London. At St. Peter's, Wolverhampton. Their 'abode' is London. [A diesinker is one who engraves or stamps designs on metal].



1833: 13<sup>th</sup> March, Sun Alliance Insurance: Insured: Ashkenaz Lloyd, 22 Coppice Row Clerkenwell, hardwareman, tinman, and die sinker.

1836: Five of Ashkenaz and Nancy (Fieldhouse) Lloyd's children were baptized on the **SAME** day - 14<sup>th</sup> September - at St. Saviour, Southwark: 1. William Henry born 16<sup>th</sup> August 1824; 2. John born 9<sup>th</sup> September 1827; 3. Alfred born 27<sup>th</sup> December 1830; 4. Edmund born 4<sup>th</sup> June 1833; 5. Clara born 25<sup>th</sup> August 1836.

The first child of Ashkenaz and Nancy's was born in 1813 and the last child in 1836 – a range of 23 years - which is impressive but not impossible so long as Nancy was very young when she married.

No. 262	Aug 1836	William Ashkenaz	Lloyd	Bankside	Die - Sinker	S. Benson
114		Son of Born 16 Nancy				
No. 263	Aug 1824	John Ashkenaz	Lloyd	Bankside	Die - Sinker	S. Benson
114		Son of Born 9 Nancy				
No. 264	Sept 1827	Alfred Ashkenaz	Lloyd	Bankside	Die - Sinker	S. Benson
114		Son of Born 24 Nancy				
No. 265	Dec 1830	Edmund Ashkenaz	Lloyd	Bankside	Die - Sinker	S. Benson
114		Son of Born 4 Nancy				
No. 266	June 1833	Clara Ashkenaz	Lloyd	Bankside	Die - Sinker	S. Benson
114		D <sup>r</sup> of Born 25 Nancy				
No. 267	Aug 1836					

1841 Census: Ashkenaz Lloyd with his wife Ann and sons Frederick, William, John, George, and Edmund.

City or Borough of \_\_\_\_\_  
Parish or Township of St. Andrew 1.6  
Enumeration Schedule

PLACE	HOUSES of each Person who shall therein the preceding Night.	NAMES of each Person who shall therein the preceding Night.	AGE and SEX		PROFESSION, TRADE, EMPLOYMENT, or of INDEPENDENT MEANS.	Where Born		
			Male	Female		Abroad	Foreign	British
Great Western Road		Mary Barnaby		12				Y
		Maria de		8				Y
		Theresea Coley		55	Market St.			Y
		Maria Reid		30				Y
		John de		3				Y
		Louisa Bennett		28	J. Rd.			Y
		John Bending		18				Y
		William Waring		55	Gardener			Y
		Mary de		30				Y
		John de		16				Y
		George de		16				Y
		Charles Chapman		30	Market Garden			Y
		Helen de		20				Y
		Marian de		15				Y
		Eliza Campbell		30	J. Road			Y
		John W. Butler		35	System Book Agent			Y
		Alphance Lloyd		50	Iron Gun Smith			Y
		Ann de		40				Y
		Frederick de		20				Y
		William de		18				Y
	John de		13				Y	
	George de		11				Y	
	Edmund de		6				Y	
	Margaret Barber		50	Milliner			Y	
	M. Allen de		15				Y	
TOTAL in Page 16..	5		30	19				

PLACE	HOUSES of each Person who shall therein the preceding Night.	NAMES of each Person who shall therein the preceding Night.	AGE and SEX		PROFESSION, TRADE, EMPLOYMENT, or of INDEPENDENT MEANS.	Where Born		
			Male	Female		Abroad	Foreign	British
Ston Lodge School		James Robinson		50	J. Road			Y
		Henry Horwatt		37	J. Road			Y
		Martha Beach		55	Market Garden			Y
		Elizabeth Lane		55	J. Road			Y
		Jane de		35	J. de			Y
		Barriah de		25	J. de			Y
		Mary Colson		30	J. Road			Y
		Keturah Kirby		15	J. Rd.			Y
		Emma Bennett		18	J. de			Y
		Mary Wilson		11	J. de			Y
		Virginia de		9	J. de			Y
		Fanny Nicholf		15	J. de			Y
		Louisa de		14	J. de			Y
		Amity Dubourg		12	J. de			Y
		Jane Winery		12	J. de			Y
		Harriet Thomas		12	J. de			Y
		Emma Chap		15	J. de			Y
		Maria de		13	J. de			Y
		Louisa Brand		14	J. de			Y
		Elizabeth de		12	J. de			Y
	Maudie de		10	J. de			Y	
	Jane Glavin		16	J. de			Y	
	Jane Doolle		16	J. de			Y	
	Louisa Alderson		16	J. de			Y	
	Mary Cook		9	J. de			Y	
TOTAL in Page 16	5		30	30				

1841: Census Catherine and her sister Ann Amelia are in the King's Road, Chelsea. She is 25 years old and a milliner. [From another source]

1842: 24<sup>th</sup> March - Marriage of Ann Amelia Lloyd to William Crole.

1851: Census Ashkenaz Lloyd (59), Tin Plate Worker, Nancy Lloyd (58), Wife, Frederick T Lloyd (32) Medical Student, John A Lloyd (23) Artist, Edmund Lloyd (17) Pupil Teacher, Charlotte Littlewood (19), servant. Residing at 36 Old Brentford Road, Ealing.

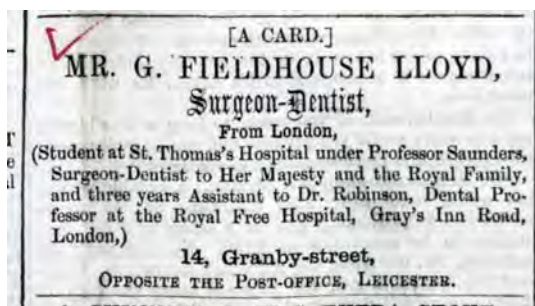
[Some sources have Edmund emigrating to Australia]

7

Parish or Township of <i>Coaling</i>		Ecclesiastical District of		City or Borough of		Town of <i>Old Brentford</i>		Village of	
No. of Inhabitants Schedule	Name of Street, Place, or Road, and Name or No. of House	Name and Surname of each Person who abode in the house, on the Night of the 30th March, 1851	Relation to Head of Family	Condition	Age of		Rank, Profession, or Occupation	Where Born	Whether Blind, or Deaf and Dumb
					Males	Females			
32	<i>Old Brentford</i>	<i>Thomas Martin</i>	<i>Head</i>	<i>Mar</i>	<i>58</i>		<i>Master &amp; Beer seller</i>	<i>Thames Ditton</i>	
		<i>Mary Martin</i>	<i>Wife</i>	<i>Mar</i>	<i>60</i>			<i>Sussex Dinston</i>	
		<i>James Goddard</i>	<i>Serv</i>	<i>U</i>	<i>20</i>		<i>House servant</i>	<i>Mid<sup>x</sup> Flauwood</i>	
33	<i>Old Brentford</i>	<i>Joseph Frost</i>	<i>Head</i>	<i>Mar</i>	<i>48</i>		<i>Toll-keeper New Bridge</i>	<i>Mid<sup>x</sup> Jullham</i>	
		<i>Amelia do</i>	<i>Wife</i>	<i>Mar</i>	<i>18</i>			<i>Mid<sup>x</sup> Stancras</i>	
		<i>Eliza<sup>t</sup> Falk</i>	<i>Serv</i>		<i>11</i>		<i>Domestic employment</i>	<i>Surrey Southw<sup>x</sup></i>	
34	<i>Old Brentford</i>	<i>William Briggs</i>	<i>Head</i>	<i>Mar</i>	<i>32</i>		<i>Messenger &amp; Pic. Master</i>	<i>Surrey Richmond</i>	
35	<i>Wagon &amp; House</i>	<i>Annal Reeves</i>	<i>Head</i>	<i>Mar</i>	<i>18</i>		<i>Licensed Victualler</i>	<i>Mid<sup>x</sup> Chiswick</i>	
		<i>Eliza Reeves</i>	<i>Wife</i>	<i>Mar</i>	<i>34</i>		<i>Wife</i>	<i>Mid<sup>x</sup> Brentford</i>	
		<i>Ann Southby</i>	<i>Widow</i>		<i>9</i>		<i>Scholar</i>	<i>Kent Deptford</i>	
		<i>Harriet Good</i>	<i>Serv<sup>t</sup></i>	<i>U</i>	<i>19</i>		<i>Servant</i>	<i>Surrey Watworth</i>	
		<i>One house uninhabited</i>							
36	<i>Old Brentford</i>	<i>J. Kenay Lloyd</i>	<i>Head</i>	<i>Mar</i>	<i>39</i>		<i>Iron &amp; Plate Worker</i>	<i>War<sup>x</sup> Birmingham</i>	
		<i>Nancy Lloyd</i>	<i>Wife</i>	<i>Mar</i>	<i>58</i>		<i>Wife</i>	<i>Hamp<sup>x</sup> Southampton</i>	
		<i>Frederick J. do</i>	<i>Son</i>	<i>U</i>	<i>32</i>		<i>Medical Student</i>	<i>War<sup>x</sup> Birmingham</i>	
		<i>John F. do</i>	<i>Son</i>	<i>U</i>	<i>13</i>		<i>Artist</i>	<i>Mid<sup>x</sup> Bloxworth</i>	
		<i>Edmund do</i>	<i>Son</i>	<i>U</i>	<i>7</i>		<i>Pupil Teacher</i>	<i>do do</i>	
		<i>Charlotte Littlewood</i>	<i>Serv<sup>t</sup></i>	<i>U</i>	<i>19</i>		<i>House servant</i>	<i>Mid<sup>x</sup> Jullham</i>	
37	<i>Old Brentford</i>	<i>John Holman</i>	<i>Head</i>	<i>Mar</i>	<i>26</i>		<i>Engineer (Water Works)</i>	<i>Essex<sup>x</sup> Thelthorpe</i>	
		<i>Eliza do</i>	<i>Wife</i>	<i>Mar</i>	<i>28</i>			<i>do do</i>	
Total of Inhabitants	I 6 U 1 B		Total of Persons		10	9			

4/4/2016

1853: 30<sup>th</sup> April - Advertisement for George Fieldhouse Lloyd (snr.) as Surgeon-Dentist at Leicester.



1854: John Alexander Lloyd (I)'s marriage to his first wife Jane Meyers on 26<sup>th</sup> October at Ealing Parish church. She was the daughter of Henry Meyers – Market Gardener of Ealing. He [JAL (I)] is a dye sinker.

Married in the Parish Church according to the Rites and Ceremonies of the Established Church by license Edw. Allen by me.

This Marriage was solemnized between us John Alexander Lloyd in the Presence of us Henry Meyers Henry Meyers Henry Meyers

1854. Marriage solemnized at the Parish Church in the Parish of Ealing in the County of Middlesex

No.	When Married.	Name and Surname.	Age.	Condition.	Rank or Profession.	Residence at the Time of Marriage.	Father's Name and Surname.	Rank or Profession of Father.
376	1854 October 26 <sup>th</sup>	John Alexander Lloyd	4 <sup>4</sup>	Bachelor	Dye Sinker	Old Street, Ad. Penary	Lloyd	Dye Sinker
		Jane Meyers	4 <sup>4</sup>	Spinster		Ealing	Henry Meyers	Market Gardener

Married in the Parish Church according to the Rites and Ceremonies of the Established Church by license Edw. Allen by me.

This Marriage was solemnized between us John Alexander Lloyd in the Presence of us Henry Meyers Henry Meyers Henry Meyers

John James Taylor  
Henry Meyers  
Henry Meyers

Jane Meyers has been found on the 1851 census aged 19 residing in Ealing with her father Henry Meyers (48) Market Gardener, her mother Jane Meyers (48), and brothers Henry (21) and John (17) along with one servant.

1855-56: Electoral Register: Ashkenaz Lloyd (on last complete line). He is residing at Harnagton Cottage and owns three freehold cottages.

4/4/2016

division of the property.

**PARISH OF HARMONDSWORTH—[1855-6.]**

201	305	Appleton, Henry	Sipson	Copyhold house and freehold land	Himself occupier.
2	306	Appleton, William	Sipson	Copyhold house and land	Himself occupier.
3	307	Blondell, Matthew	Harmondsworth	Copyhold tenements	Himself and another.
4	308	Cane, Isaac	Harmondsworth	Freehold house and land	Himself occupier.
5	309	Cooper, William	Sipson House	Copyhold garden	Heathrow, in my own occupation.
6	310	Domoney, Joseph	Iver, Colnbrook Post, Bucks	Copyhold house and land	Longford, Flat and others, tenants.
7	311	Hawtree, James	Harmondsworth	Copyhold cottages and land	Harmondsworth-moor.
8	312	Hebbard, Isaac	16, Vale-place, Fulham	Freehold and copyhold	John Cooper, jun., and others, tenants.
9	313	Hunt, Samuel	Harmondsworth	Copyhold land	Heathrow.
310	314	Jarvis, Thomas	Longford	Copyhold house and land	Longford.
1	315	Lloyd, Ashkenaz	Harnagton Cottage, Old Brentford	Three cottages, freeholds	In the parish of Harmondsworth.
2	316	Morris, James	Reasonsfield, Bucks		

1855: Both John Alexander Lloyd (I) (tin manufacturer) and his father in law Henry Meyers (market gardener) bought shares in the Great Western and Brentford Railway (Thames Junction). Also John's brother William Henry Lloyd.

**THE RAILWAY TIMES.**

Henry Thomas, lighterman, Old Brentford..	£50
Nathaniel G. Collett, draper, Old Brentford..	50
Martin Pim, butcher, New Brentford.....	50
William Blackwell, innkeeper, Brentford End	100
Richard Mulcock, lighterman, Norwood Green	100
F. Field Whitehurst, brewer, Brentford.....	200
John Fletcher, butcher, Brentford .....	50
William Tucker, ironmanger, Brentford.....	150
Samuel Ruff, tallow-candle maker, Hounslow	100
William Thomas Farnall, brewer, Isleworth..	300
William Farnall Watson, brewer, Isleworth..	50
J. A. Lloyd, tin manufacturer, Standon Green	50
W. H. Lloyd, tin manufacturer, Standon Green	50
Henry Meyers, market gardener, Brentford ..	100
J. Montgomery, timber merchant, Brentford..	200
George Walbran, draper, New Brentford....	150
William M. Bradbury, grocer, New Brentford	50
Total amount subscribed for .....	
£27,650	

1856: Baptism of Henry Ashkenaz Lloyd. Father John Alexander Lloyd (I) and mother Jane (Meyers) Lloyd, on 10<sup>th</sup> January at Christ Church, Turnham Green, Chiswick. Henry was born on the 8<sup>th</sup> December 1855. They are residing at 2 Clayton Terrace, Strand on the Green, Chiswick.

Bap 8 Dec 1855 P	No. 270	1856	Jan	Henry Ashkenaz	John Alexander & Jane	Lloyd	2 Clayton Terrace Strand on the Green	Tin Manufacturer	Henry Ashkenaz Bapt. of Henry at Christ Church
	No 277		10						

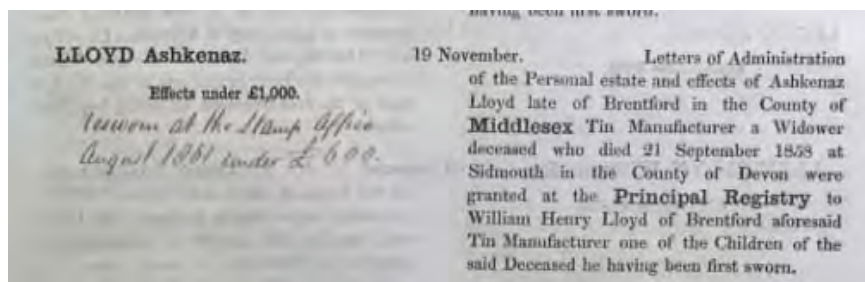
1856: (Jan-Mar Quarter) Death Index: Henry Ashkenaz Lloyd son John Alexander and Jane (Meyers) Lloyd (I) at Brentford.

1856: April Death Jane (Meyers) Lloyd wife of John Alexander Lloyd (I) and mother of Henry (above). She was buried on 19<sup>th</sup> April at St Mary, Ealing.

4/4/2016

c	Jane Lloyd	Old Brentford	1856	Sept 24	19 <sup>th</sup> class	Edw. R. Lloy
	No. 1342					

1858: Ashkenaz Lloyd died on 21<sup>st</sup> September at Sidmouth, Devon. Probate Record:



1859: Presumably Frederick Thomas Lloyd and Mary Unknown were married. So far a record has not been found.

1860: Baptism of Mary Fieldhouse Lloyd - Father Frederick Thomas Lloyd. Mother Mary Lloyd. At St. Mary, Ealing, on 27<sup>th</sup> June. She was born on 26<sup>th</sup> March.

1860	1860	Mary	Frederick Thomas	Lloyd	Old Brentford	Packing-case maker	Edw. R. Lloy
March 26	June 27 <sup>th</sup>	Fieldhouse	Mary				
No. 2316.							

1861 Baptism on 1<sup>st</sup> January at Turnham Green of William Edmund Harry Lloyd the son of William Henry and Matilda (Wykes) Lloyd. William Henry was JAL (I)'s brother.

London: Shaw & Sons, Petter Lane.

BAPTISMS solemnized in the Parish of <u>Turnham Green</u> in the County of <u>Middlesex</u> in the year One thousand eight hundred and <u>sixty one</u>						
When Baptized.	Child's Christian Name.	Parents' Name.		Abode.	Quality, Trade, or Profession.	By whom the Ceremony was performed.
		Christian.	Surname.			
1861. January 1 <sup>st</sup>	William Edmund Harry	William Henry	Lloyd	Turnham Green	Widower	W. M. G. Smith, Incumbent
No. 163.	Matilda	Matilda				

1862: John Alexander Lloyd (I) married Lindsay Mary Symington:

LLOYD—SYMINGTON.—On the 27th ult., at Little Bowden Church, near Market Harborough, by the Rev. T. W. Barlow, M.A., J. A. Lloyd, Esq., of London, to Lindsay, second daughter of William Symington, Esq., of Bowden Steam Mills, Market Harborough.

1863: Baptism of Florence Lindsay Lloyd. Father: John Alexander Lloyd. Mother: Lindsay Lloyd on 4<sup>th</sup> December at St. Paul's, Deptford, Surrey.

Page 295

BAPTISMS solemnized in the Parish of <i>St Paul, Deptford</i> in the County of <i>Kent &amp; Surrey</i> in the Year 18 <i>63</i>						
When Baptized.	Child's Christian Name.	Parents' Names.		Abode.	Quality, Trade, or Profession.	By whom the Ceremony was performed.
		Christian.	Surname.			
<i>1863</i> <i>Dec. 4</i> No. 2358	<i>Florence</i>	<i>John</i>	<i>Lloyd</i>	<i>3 Wellington Mans</i> <i>Deptford</i>	<i>Fit</i>	<i>P. J. 27</i> <i>1863</i>

1864: George Fieldhouse Lloyd (Surgeon Dentist) married Susanna Davis on 26<sup>th</sup> April at St. Pancras Parish Chapel.

Page 85

1864 Marriage solemnized at <i>St Pancras Church</i> in the Parish of <i>St Pancras</i> in the County of <i>Middlesex</i>								
No.	When Married.	Name and Surname.	Age.	Condition.	Rank or Profession.	Residence at the time of Marriage.	Father's Name and Surname.	Rank or Profession of Father.
<i>69</i>	<i>April 26</i>	<i>George Fieldhouse Lloyd</i>	<i>full</i>	<i>Single</i>	<i>Surgeon Dentist</i>	<i>St Pancras</i>	<i>Abraham Lloyd</i>	<i>Farmer</i>
		<i>Susanna Davis</i>	<i>full</i>	<i>Spinster</i>		<i>Handley Devon</i>	<i>William Davis</i>	<i>Farmer</i>

MARRIED in the *Parish Church* according to the Rites and Ceremonies of the Established Church, by *James* by me, *J. F. Killo*

This Marriage was solemnized between us, *George Fieldhouse Lloyd* in the Presence of us, *Robert Stone*  
*Susanna Davis* *The Rector of St. Pancras*

1864: Baptism of George Fieldhouse Lloyd (Junior) on 26<sup>th</sup> December at St Andrew's, Rugby, Warwickshire:

<i>1864</i> <i>Dec. 26</i> No. 28	<i>George</i> <i>Fieldhouse</i>	<i>George</i> <i>Fieldhouse</i> <i>Jr</i>	<i>Lloyd</i>	<i>Rugby</i>	<i>Dentist</i>	<i>J. J. Morley</i>
---	------------------------------------	---	--------------	--------------	----------------	---------------------

1864: Death/Probate of Matilda (Crooke) Lloyd the wife of William Henry Lloyd (JAL [I]'s brother)

Deceased he having been first sworn.

<p><b>LLOYD Matilda.</b> Effects under £300.</p>	<p>20 November.</p>	<p>Letters of Administration of the Personal estate and effects of Matilda Lloyd (Wife of William Henry Lloyd) late of Dermer Cottage Wellington-road Bow in the County of <b>Middlesex</b> deceased who died 22 March 1864 at Dermer Cottage aforesaid were granted at the <b>Principal Registry</b> to the said William Henry Lloyd of 34 Burdett-road Limehouse in the County aforesaid Manufacturer he having been first sworn.</p>
--	---------------------	---

1870: 22<sup>nd</sup> October baptism of Reu Ashkenaz Lloyd the some of George Fieldhouse Lloyd (snr.) at St. George's, Hanover Square:

*Handwritten text from a church register:*  
 " 22. 232 Reu Ashkenaz  
 George Fieldhouse Lloyd  
 12 Hanover Sq 23 April 1870  
 Susan Davies



The Lloyds go off for a drive

1871: Census – George Fieldhouse Lloyd (dental surgeon) (aged 42) and family at St. George's, Hanover Square. With wife Susannah (aged 28), son George Fieldhouse (6), and Reu Ashkenaz (11 months). Susannah's unmarried sister Emma Davies (a draughtswoman aged 38) is living with the family.

The undermentioned Houses are situate within the Borough of the

Page 4		City or Municipal Borough of		Municipal Ward of	Parliamentary Borough of	Town of	Village or Hamlet, &c., of	Local Board, or [Improvement Commissioners District] of	Electoral District	Ward		
Civil Parish (or Township) of		City or Municipal Borough of		Municipal Ward of	Parliamentary Borough of	Town of	Village or Hamlet, &c., of	Local Board, or [Improvement Commissioners District] of	Electoral District	Ward		
St. George's		Westminster		Coventry	Westminster				St. George's	Westminster		
No. of Schedule	ROAD, STREET, &c., and No. or NAME of HOUSE	HOUSES No. built (U.S. or Building (19.)	NAME and Surname of each Person	RELATION to Head of Family	CON-DITION	AGE of (Male Female)	RANK, Profession, or OCCUPATION	WHERE BORN	1. Deaf and Dumb	2. Blind	3. Imbecile	4. Lame
19			William J. Robinson	Son	Married	18	Traveler	London				
			George's Oldham	Do	Married	28	General Contractor	St. Thomas, Barbadoes				
			Samuel Cousins	Head	Married	25	Booker	London				
			Mary Do	Wife	Married	22		London				
20	10 & 11, Hammer	1	Frederick Busch	Head	Married	47	Master Tailor Emp. 32 man	Middlesex St. George's				
			Charles Busch	Son	Married	52	Porter	Wiltshire, Wiltshire				
			Charlotte Do	Wife	Married	52	Housekeeper	Middlesex St. George's				
			Arthur Do	Son	Married	15	Tailor Apprentice	Do				
			Mary A. Garlick	Daughter	Married	11	Schooler	Do				
21	12	1	George & Lloyd	Head	Married	42	Surgeon Dentist	Do				
			Esther Do	Wife	Married	28		Do				
			George H. Do	Son	Married	10		Do				
			Rebecca Ashman Do	Son	Married	11		Do				
			Emma Davies	Sister	Married	28	Daughter-in-law	Do				
			Harriet Atkinson	Servant	Married	20	Booker	Do				
22			John Turpet	Head	Married	36	Tallow-chandler	Do				
			Elizabeth Do	Wife	Married	36	Widowhouse Keeper	Do				
			Catherine Do	Daughter	Married	28		Do				
			Thomas Do	Daughter	Married	21		Do				
			Louisa Do	Do	Married	15		Do				
			John H. Hall	Head	Married	68	Widowhouse	Do				
			Mary Do	Wife	Married	64		Do				
			Emily Do	Daughter	Married	21		Do				
			Harriet Mylton	Married	Married	27	Dressmaker	Do				
4	Total of Houses..	2	Total of Males and Females..			11	13					



George Fieldhouse Lloyd (Snr.) [From Ancestry.com]

1871: Census - Frederick Thomas Lloyd (52), wife Mary Lloyd (44), and daughter Mary Fieldhouse Lloyd (11) living at 83 High Street, Uxbridge. Middlesex.

4/4/2016

The undermentioned Houses are situate within the Boundaries of the

[Page 19]

No. of Houses		ROAD, STREET, &c. and No. or NAME of HOUSE	HOUSES Inhabited	NAME and Surname of each Person	RELATION to Head of Family	CON-DITION	AGE of Male Females	RANK, PROFESSION, or OCCUPATION	WIKER BORN	Whether 1. Deaf-and-Dumb 2. Blind 3. Lame or 4. Idiote
99	35 High Street	1		Susan Grant	Head	Widow	24	Beer Retailer	Cambridge Cambridge	
				Catherine Grant	Daughter		10	Scholar	Middlesex Cambridge	
				Alice Grant	Daughter		8	Scholar	Middlesex Cambridge	
100	34 High Street	1		Hannah Perryman	Wife	Mar	26	Press Maker	Middlesex Highgate	
				Fanny Susan Perryman	Daughter	Mar	24	Press Maker	Middlesex Highgate	
				Thomas Edwin Perryman	Son	Mar	22	Baker Journeyman	Middlesex Hillingdon	
				William Perryman	Son	Mar	20	Milk Man	Middlesex Cambridge	
				Samuel Maria Perryman	Daughter	Mar	18	Scholar	Middlesex Cambridge	
				Sarah Anna Perryman	Daughter	Mar	10	Scholar	Middlesex Cambridge	
				John Perryman	Son	Mar	6	Scholar	Middlesex Cambridge	
101	33 High Street	1		Andrew James Lloyd	Head	Mar	24	Retired Surveyor	Middlesex Barnet	
				Mary Lloyd	Wife	Mar	11	Scholar	Middlesex Barnet	
				Mary Fildhouse Lloyd	Daughter	Mar	11	Scholar	Middlesex Ealing	
102	32 High Street	1		John Watling	Head	Mar	27	Miller	Middlesex Havering	
				Hannah Watling	Wife	Mar	27		Middlesex Havering	
				James Watling	Son	Mar	24	Carpenter	Middlesex Cambridge	
				Ann Watling	Daughter	Mar	21	in occupation	Middlesex Cambridge	
				Joseph Watling	Son	Mar	17	Philomath	Middlesex Cambridge	
				Sarah Ann Watling	Grand Daughter		2		Middlesex Cambridge	
103	Marces Yard	1		Robert Newman	Head	Mar	27	Lyons Conman	Bucks Aylesbury	
				Mary Newman	Wife	Mar	21	Lyons Conman	Bucks Aylesbury	
104	30 High Street	1		Charles Sammons	Head	Mar	20	Beer Maker	Middlesex Harington	
				Fanny Sammons	Wife	Mar	20	Beer Maker	Middlesex Cambridge	
				Louise Charlotte Sammons	Son		2		Middlesex Cambridge	
Total of Houses..		6	Total of Males and Females..		10	14				

\* Draw the pen through such of the words as are inappropriate.

Eng- Sheet G.

1871: Baptism of William Symington Lloyd son of John Alexander and Lindsay Lloyd on 18<sup>th</sup> October at All Saints, Hatcham Park.

1871	Oct 18 <sup>th</sup>	William Symington	John Alexander Lindsay	Lloyd	Field House	Manufactures	S. Whims
------	----------------------	-------------------	------------------------	-------	-------------	--------------	----------

No. 110

1873: Dissolution of a partnership. The three Lloyd brothers: William Henry Lloyd, John Alexander Lloyd (I), and Alfred Ashkenaz Lloyd.

**N**OTICE is hereby given, that the Partnership between the undersigned, William Henry Lloyd, John Alexander Lloyd, and Alfred Ashkenaz Lloyd, in the trade of Tin Plate Workers, and Tin Plate Workers, at Bush-lane, Cannon-street, in the city of London, and Limehouse, in the county of Middlesex, under the firm of A. Lloyd and Sons, was this day dissolved by mutual consent; and in future the business will be carried on by the said John Alexander Lloyd and Alfred Ashkenaz Lloyd, who will receive and pay all debts owing from and to the said partnership in the regular course of trade.—Witness our hands this 31st day of December, 1873.

William H. Lloyd.  
John A. Lloyd.  
Alfred A. Lloyd.

4/4/2016

1874: Nellie Symington Lloyd daughter of John Alexander and Lindsay (Symington) Lloyd baptised on 5<sup>th</sup> November at All Saints, Hatcham Park.

1874 5 <sup>th</sup> Nov	Nellie Symington	John Alexander & Lindsay	Lloyd	Field House Manufactory	E. Wagon	27 July 1874
No. 383						

1876: Leonora Weldon Lloyd baptism on 23<sup>rd</sup> November at All Saints, Hatcham Park.

1876 23 <sup>rd</sup> Nov	Leonora Weldon	John Alexander & Lindsay	Lloyd	Field House New Cross	Manufactory	21 Sept 1876
No. 569						

1877: Lloyd Patent Award:

**4462. To John Alexander Lloyd, of Bush-lane, in the city of London, Tin Plate Manufacturer, for the invention of "improvements in the manufacture of metal bottles, flasks, casks, or other vessels of the like kind."**

1877: Patent Infringement by the Lloyds. A case was brought against them which they lost.

[Before Vice-Chancellor Sir JAMES BACON.]

FLOWER v. LLOYD.

This suit was instituted by members of a firm called "The Tin Plate Decorating Company," carrying on business in South Wales, for an injunction to restrain the defendants, Messrs. Lloyd and Sons, of London, from infringing a patent for improvement in the process of producing ornamental impressions upon tin plates, such as are used for boxes and canisters.

The plaintiffs were the owners of two patents, the one called Gedge's Patent, dated in March, 1864, in which the patentee claimed to have improved upon "the means commonly used in lithography," and principally the "damping" of the stones, and proposed to print on the metal by means of raised surfaces, with dry heat resisting inks. The second patent, that of May, 1869, described a system of printing, also by means of raised surfaces, with dry-heat-resisting compositions or inks; and it was with respect to this patent alone that the plaintiffs sought relief. They charged the defendants with taking three of the four processes which went to make up the combination, for which the plaintiffs claimed a patent, viz., the drying after printing, the varnishing, and the final heating, and with making a colourable imitation of the first of the four, viz., the dry printing, by printing from damp lithographic stones. The defence was that the plaintiffs had no valid patent for anything except for the dry process of printing; that they brought the action at first supposing that the defendants were using the dry process, and when they found out their mistake, turned round, and claimed for a combination of four processes, one of which, viz., the dry process, they alleged the defendants were imitating colourably by printing from damp stones, whereas damp lithographic printing, the defendants maintained, was the ordinary process, common to the whole world.

Mr. Kay, Q.C., Mr. Aston, Q.C., and Mr. Macrery were for the plaintiffs; Sir H. Jackson, Q.C., Mr. Marriott, Q.C., and Mr. De Castro for the defendants.

The VICE-CHANCELLOR, after deciding that all the elements of the combination for which the plaintiffs could claim were the four above mentioned, and that they could not claim for the drying oven, said that certain recent authorities did not displace the established doctrine that there might be a good patent for a combination; and that there might be infringement of part of a combination by a defendant who was not infringing the whole. There was nothing new in the operation of printing, which was at least as ancient as the bricks at Babylon; but there might be improved processes as applied to particular purposes, and there was no doubt—indeed it was admitted—that the plaintiff's process was both novel and useful. The evidence satisfied his lordship that what the defendants had done in fact was to use only a colourable alteration of this process; and there must be an injunction as prayed, with the costs of the suit.

## THE TIN-PLATE DECORATING COMPANY.

Vice-Chancellor Bacon gave judgment on Saturday in the suit instituted by the Tinplate Decorating Company, carrying on business at Neath, for an injunction restraining the defendants, Messrs. Lloyd and Sons, of London, from infringing a patent for improvement in the process of producing ornamental impressions upon tin plates, such as are used for boxes and canisters. The plaintiffs were the owners of two patents, the one called Gedge's Patent, dated in March, 1864, in which the patentee claimed to have improved upon "the means commonly used in lithography," and principally the "damping" of the stones, and proposed to print on the metal by means of raised surfaces, with dry heat-resisting inks. The second patent, that of May, 1869, described a system of printing, also by means of raised surfaces, with dry heat-resisting compositions or inks; and it was with respect to this patent alone that the plaintiffs sought relief. They charged the defendants with taking three of the four processes which went to make up the combination, for which the plaintiffs claimed a patent, viz., the drying after printing, the varnishing, and the final heating; and with making a colourable imitation of the first of the four, viz., the dry printing, by printing from damp lithographic stones. The defence was that the plaintiffs had no valid patent for anything except for the dry process of printing; that they brought the action at first supposing that the defendants were using the dry process, and when they found out their mistake, turned round, and claimed for a combination of four processes, one of which, viz., the dry process, they alleged the defendants were imitating colourably by printing from damp stones, whereas damp lithographic printing, the defendants maintained, was the ordinary process, common to the whole world.

The Vice-Chancellor, after deciding that all the elements of the combination for which the plaintiffs could claim were the four above mentioned, and that they could not claim for the drying oven, said that certain recent authorities did not displace the established doctrine that there might be a good patent for a combination, and that there might be infringement of part of a combination by a defendant who was not infringing the whole. There was nothing new in the operation of printing, which was at least as ancient as the bricks at Babylon; but there might be improved processes as applied to particular purposes, and there was no doubt—indeed it was admitted—that the plaintiff's process was both novel and useful. The evidence satisfied his lordship that what the defendants had done in fact was to use only a colourable alteration of this process; and there must be an injunction as prayed, with the costs of the suit.

4/4/2016

1878: Patent Awarded

**2589. And to John Alexander Lloyd and Alfred Lloyd, of Limehouse, in the county of Middlesex, for the invention of "improved means and process for producing ornamental and other designs upon sheets of tin plate and other metals."**

**On their several petitions, recorded in the Office of the Commissioners on the 27th day of June, 1878.**

1878: Baptism of Alfred Edmund Lloyd son of John Alexander Lloyd (I) and Lindsay Mary Symington born on 7<sup>th</sup> June and baptised on 10<sup>th</sup> October:

18 78	Sept 10	John Lloyd Lindsay	Lloyd	Field House Buteham	Mary Symington	
born	Edmund	Lindsay				
No. 757	7/10/78					

1881: Census John Alexander Lloyd (Gentleman Farmer), Lindsay (wife) (43), Florence (18), Ada M. (15), Nellie (7), Leonora (5), Alfred (3) at Caterham, Surrey.

The undermentioned Houses are situate within the Boundaries of the

58 [Page 13]

Civil Parish (or Township) of	City or Municipal Borough of	Municipal Ward of	Parliamentary Borough of	Town or Village or Hamlet of	Urban Sanitary District of	Rural Sanitary District of	Local Sanitary District of		
Colindale				Colindale		Wotton			
No. of Schedule	ROAD, STREET, &c., and No. or NAME of HOUSE	HOUSES Inhabited (A), or Vacant (B)	NAME and Surname of each Person	RELATION to Head of Family	CON-DITION as to Marriage	AGE last Birthday of Males Females	Rank, Profession, or OCCUPATION	WHERE BORN	II (1) Deaf-and-Dumb (2) Blind (3) Imbecile or Idiot (4) Lunatic
56	Broomfield (Halls) 1		Henry G. Dyer	Servant	Married	18	Housemaid	Wotton, Cambridgeshire	
			John Morrison	Head	Married	52	Gardener	Wotton, Cambridgeshire	
			Mary A. d.	Wife	Married	52		Wotton, Cambridgeshire	
			William d.	Son	Married	22	Boiler	Wotton, Cambridgeshire	
			Richard d.	Son	Married	16	Boiler	Wotton, Cambridgeshire	
			Henry d.	Son	Married	12	Boiler	Wotton, Cambridgeshire	
57	Widdowale 1		John A. Lloyd	Head	Married	52	Yeoman Farmer	Wotton, Cambridgeshire	
			Harriet d.	Wife	Married	42		Wotton, Cambridgeshire	
			Harriet G. d.	Daughter	Married	18	School	Wotton, Cambridgeshire	
			John M. d.	Son	Married	15	d	d	
			William d.	Son	Married	7	d	d	
			William d.	Son	Married	15	d	d	
			John d.	Son	Married	5	d	d	
			John d.	Son	Married	10	Housemaid	Wotton, Cambridgeshire	
			John d.	Son	Married	27	Nurse	Wotton, Cambridgeshire	
			Liza d.	Daughter	Married	31	Cook	Wotton, Cambridgeshire	
58	d	1	Henry d.	Head	Married	51	Wooler (Farm)	Wotton, Cambridgeshire	
			Mary W. d.	Wife	Married	47		Wotton, Cambridgeshire	
			Robert d.	Son	Married	3		Wotton, Cambridgeshire	
			George d.	Son	Married	16	Cartwright	Wotton, Cambridgeshire	
			William d.	Son	Married	14	Wooler	Wotton, Cambridgeshire	
59	Colindale Works Office	1	John Parkinson	Head	Married	42	Foreman of Waterworks	Wotton, Cambridgeshire	
			Harriet d.	Wife	Married	42		Wotton, Cambridgeshire	
			Robert d.	Son	Married	16	Engine Driver Assistant	Wotton, Cambridgeshire	
4	Total of Houses...	4	Total of Males and Females...			12	12		

NOTE.—Draw the pen through such of the words of the headings as are inappropriate.

Eng- Sheet 11.

1885: Marriage banns of George Fieldhouse Lloyd (jun) and Emily Marian Duffey on 9<sup>th</sup> February at St George's, Bloomsbury, Middlesex.

George Fieldhouse Lloyd, of Widdowale in the Fields

Emily Marian Duffey of this Parish

Witnessed by me: 26 The First time by H. G. W.

Feb 22 2 The Second time by H. G. W.

9 The Third time by H. G. W.

III

1887: A partnership is dissolved:



4/4/2016

1891: Census: John Alex Lloyd (63) Manufacturer, Lindsay Lloyd (52), Florence Lloyd (27), Ada May Lloyd (14), John Alex Lloyd (21) Assistant Manufacturer, Nellie Lloyd (16), Leonora Lloyd (14), Alfred Ed Lloyd (12), Ellen L Thompson (55) Widow and Visitor.

Administrative County of <u>Leicester</u>										The undermentioned Houses are situate within the Boundaries of the									
Civil Parish		Municipal Borough		Municipal Ward		Urban Sanitary District		Town or Village or Hamlet		Rural Sanitary District		Parliamentary Borough or Division		Ecclesiastical Parish or District					
1	2	3	4	5	6	7	8	9	10	11	12	13	14	15	16				
Col. 1	No. of HOUSES, No. or NAME of HOUSE	Col. 2	Col. 3	Col. 4	NAME and Surname of each Person	RELATION Head of Family	Col. 7	Col. 8	Col. 9	Col. 10	PROFESSION or OCCUPATION	Col. 12	Col. 13	Col. 14	Col. 15				
401	Leicester	1			John Alex Lloyd	Head	63	M			Manufacturer								
					Lindsay	Wife	52	F											
					Florence	Daughter	27	F											
					Ada May	Daughter	14	F											
					John Alex	Son	21	M			Assistant Manufacturer								
					Nellie	Daughter	16	F											
					Leonora	Daughter	14	F											
					Alfred Ed	Son	12	M											
					Ellen L Thompson	Visitor	55	F											
Total of Houses and of Tenements with less than Five Rooms		5	2		Total of Males and Females														

1891 Census: William Henry Lloyd (brother of JAL (I)) aged 66. A widower with his two sons William Edmund Harry Lloyd (30) and Charles Lloyd (28). All three are 'tin can manufacturers' and Kate Wykes (38) (Housekeeper); Matilda Searle (22) and Edith Searle (20) (servants).

Administrative County of <u>Leicester</u>										The undermentioned Houses are situate within the Boundaries of the									
Civil Parish		Municipal Borough		Municipal Ward		Urban Sanitary District		Town or Village or Hamlet		Rural Sanitary District		Parliamentary Borough or Division		Ecclesiastical Parish or District					
1	2	3	4	5	6	7	8	9	10	11	12	13	14	15	16				
Col. 1	No. of HOUSES, No. or NAME of HOUSE	Col. 2	Col. 3	Col. 4	NAME and Surname of each Person	RELATION Head of Family	Col. 7	Col. 8	Col. 9	Col. 10	PROFESSION or OCCUPATION	Col. 12	Col. 13	Col. 14	Col. 15				
49	Spring Vale	1			William Henry Lloyd	Head	66	M											
					James J. Lloyd	Son	30	M			Tin can manufacturer								
					Charles Lloyd	Son	28	M											
					Kate Wykes	Housekeeper	38	F											
					Matilda Searle	Servant	22	F											
					Edith Searle	Servant	20	F											
Total of Houses and of Tenements with less than Five Rooms		1			Total of Males and Females														

4/4/2016

1891: Burial of Frederick Thomas Lloyd aged 72 on 16th January at Norwood Cemetery, Norwood Road, Lambeth. His 'abode' was 13 Palace Square, Upper Norwood, Surrey. He died on 12<sup>th</sup> January but so far no probate record has been located which is odd.

Frederick Thomas Lloyd aged 72	13 Palace Square Upper Norwood	1891 Jan 16	72	Joseph BA Doxon
--------------------------------------	--------------------------------------	-------------------	----	--------------------

1891: Death of George Fieldhouse Lloyd (snr.) on 18<sup>th</sup> December:

**LLOYD George Fieldhouse.**

Personal Estate £1,053 2s. 2d.

28 January. The Will of George Fieldhouse Lloyd late of 437 Strand and of 1 Colosseum-terrace Regent's Park both in the County of **Middlesex** Dentist who died 18 December 1890 at 1 Colosseum - terrace was proved at the **Principal Registry** by George Fieldhouse Lloyd of 238 Tottenham-Court-road in the said County Dentist the Son and Robert William Hodder of 2 Finsbury-circus in the City of London Clerk to Messrs. Wootton and Son Solicitors the Executors.

1891: 19<sup>th</sup> November - William Edmund Harry Lloyd and Kate Wykes marriage at St Stephens, Twickenham

No.	When Married.	Name and Surname.	Age.	Condition.	Rank or Profession.	Residence at the time of Marriage.	Father's Name and Surname.	Rank or Profession of Father.
258	19 <sup>th</sup> November	William Edmund Harry Lloyd	30	Bachelor	Gentleman	Albemarle House East Twickenham	William Henry Lloyd	Gentleman
	1891	Kate Wykes	38	Spinster	—	Albemarle House East Twickenham	Samuel Wykes (Deceased)	Farmer

Married in the Parish of St. Stephens according to the Rites and Ceremonies of the Established Church, by licence or after \_\_\_\_\_ by me,

This Marriage was solemnized between us, W. E. H. Lloyd and Kate Wykes in the Presence of us, William H. Lloyd and John W. Lloyd Wm. Howard Webster Pastor

1893: Baptism of Marian Alexandra Isabel Lloyd on 16<sup>th</sup> September, at St. George's, Tuffnel Park, daughter of George Fieldhouse Lloyd (jun.) and Emily Marianne Duffey.

Page 85

[18 T.D.B.—483.] Shaw &amp; Sons, Fetter Lane, E.C.

**BAPTISMS** solemnized in the Parish of ISLINGTON, at ST. GEORGE'S, TUFNELL PARK, in the County of Middlesex, in the Year One Thousand Eight Hundred and *twelve*.

When Born.	When Baptized.	Child's Christian Name.	Parents' Names.		Abode.	Quality, Trade, or Profession.	By whom the Ceremony was performed.
			Christian.	Surname.			
1892 <i>September</i> <i>16<sup>th</sup></i>	<i>July</i> <i>30<sup>th</sup></i> 1893	<i>Marian</i> <i>Alexandra</i> <i>Isabel</i>	<i>George</i> <i>Fieldhouse</i> + <i>Emily</i> <i>Marian</i>	<i>Lloyd</i>	<i>3</i> <i>Union</i> <i>Road</i>	<i>Dentist</i> <i>Master</i>	<i>W. T. Hollan</i> <i>Vicar.</i>
No. 523							

1893: Registry of Dentists for the years 1878 – 1882 showing George Fieldhouse Lloyd (snr.) He appears to have moved from Regent's Park to Tottenham Court Road in that time period.

**Llo—Lon] UNITED KINGDOM DENTISTS FOR 1893. 135**

Name.	Address.	Date of Registration.	Description and Date of Qualification.
LLOYD, Edwin .....	213, Regent road, Salford	1878, Dec. 31	In practice before July 22, 1878.
LLOYD, Francis.....	114, Melbourne grove, East Dulwich, London. S.E.	1878, Dec. 27	In practice before July 22, 1878.
LLOYD, George Fieldhouse	1, Colosseum terrace, Regent's park, London. N.W.	1878, Sept. 10	In practice before July 22, 1878.
LLOYD, George Fieldhouse	244, Tottenham Court road, London. W.	1882, Dec. 30	In practice before July 22, 1878.

1899: Reu Ashkenaz Lloyd's Probate. [A record of his having attended University College School from 1879-1881 has been found]

**1899.**

**LLOYD** Reu Ashkenaz of 437 Strand Middlesex died 11 February 1899 at 63 Oakdale-road Leytonstone Essex Probate-London 5 April to Alfred Thomas Clinch solicitor's-managing-clerk Effects £474.

1899 William Edmund Harry Lloyd death and probate. He was the son of William Henry Lloyd and nephew of JAL (I).

**LLOYD** William Edmund Harry of Riversden Cambridge Park-gardens Twickenham Middlesex died 30 October 1899 at 30 King's-road Brighton Sussex Administration (limited) London 10 September to Emma Wykes widow. Effects £2623 os. 10d. Former grant P.R. December 1899.

1899: Advertisement:

**PACKING-CASE MAKERS** wanted.—Apply **A. Lloyd and Sons, Ltd., Mill-st, Dockhead, Bermondsey, S.E.**

1901: Census The Lloyd family at the The Manor House at Woodmansterne: John A Lloyd (73), Lindsay Lloyd (62), Ada M Lloyd (33), John A Lloyd (31), Nellie S Lloyd (26), Leonora W Lloyd (24), Alfred E Lloyd (22), Ellen D Thompson(65), **Guthrie Allsebrook (25) (Civil Engineer)** is a visitor.

Administrative County		The undermentioned Houses are situate within the boundaries of the													Page 7
Civil Parish		Ecclesiastical Parish		County Borough, Municipal Borough, or Urban-District		Ward of Municipal Borough or of Urban District		Rural District		Parliamentary Borough or Division		Town or Village or Hamlet		36	
of Woodmansterne		of Woodmansterne St Peter		of		of		of Crystal Palace		of Woodmansterne		of			
House No.	ROAD, STREET, No. and No. or NAME of HOUSE	HOUSES			Name and Surname of each Person	RELATION to Head of Family	Sex	Age last Birthday	PROFESSION OR OCCUPATION	Employer, Worker, or Own account	If Working at Home	WHERE BORN	(1) Deaf and Dumb (2) Blind (3) Lame (4) Imbecile, feeble-minded		
		Uninhabited	Partly inhabited	Wholly inhabited											
37	5nd St				James S	Wife	M	52				Wants Wickham			
					June Harless	Visitor	Wid	82				Wants Preston			
					Anne Reidy	Serv	Wid	56	Cook - Domestic			Ireland			
					Mie M. Hookley	Serv	S	25	Parlourmaid - Domestic			Surrey Compton			
					Wnie Sutton	Serv	S	22	Housemaid - Domestic			Middlesex Hatfield			
					Flora Ingham	Serv	S	15	Kitchenmaid - Domestic			Wiltshire Strisham			
40	Manor House	1			Ernest Hawks	Head	M	31	Kitchen Porter at Crystal Palace	Worker		Bedford Luton			
					Elizabeth L. do	Wife	M	31				Wants Walsby Cott			
					Mad. G. do	Serv	S	5				Bedford Luton			
					Phillip H. do	Serv	M	2				Bedford Luton			
					Francis West	Boarder	Wid	55	Gardener - Domestic	Worker		Surrey West Hertsley			
41	do	1			Henry Thorpe	Head	M	31	Cashman - Domestic	Worker		Berks Banbury			
					Balansa M. do	Wife	M	33	Counsellor			London Kensington			
					Arvy H. do	Serv	M	14				Surrey Reigate			
42	do	1			Frederick G. Flad	Head	M	31	Gardener - Domestic	Worker		Surrey Woodmansterne			
					Kate M. do	Wife	M	36				London Biddington			
					Frank V. do	Serv	M	14				Surrey Woodmansterne			
43	Manor House	1			Stephen J. do	Serv	M	2				do do			
					John A. Lloyd	Head	M	73	Tank manufacturer	Employer		London			
					Lindsay do	Wife	M	62				Wants Market Harborough			
					Ada M. do	Serv	S	33				London New Cross			
					John A. do	Serv	S	31	Tank manufacturer	Employer		do do			
					Nellie S. do	Serv	S	26				do do			
					Leonora W. do	Serv	S	24				do do			
					Alfred E. do	Serv	S	25	Tank manufacturer	Employer		do do			
					Ellen D. Thompson	Visitor	Wid	65				London			
					Guthrie Allsebrook	Visitor	S	26	Civil Engineer	Employer		Wants Colchester			
					William W. B. Clark	Serv	M	49	Cook - Domestic	Worker		Surrey Brighton			
					Henry Harrington	Serv	M	17	Housemaid - Domestic			Wants Salisbury			
					Elizabeth Venables	Serv	S	23	Parlourmaid - Domestic			Wants Chester			
4	Total of Schedule of Houses and of Tenements with less than Five Rooms	4		3	Total of Males and of Females...		14	16							

Below: The Lloyd's home at Woodmansterne



1904: John A Lloyd Advertisement in *The Autocar*, Volume 13:



1904: 26<sup>th</sup> July death of John Alexander Lloyd (I) :

**LLOYD** John Alexander of Woodmansterne-manor Banstead Surrey died 26 July 1904 Probate **London** 18 August to Lindsay Lloyd widow Effects £14717 10s. 2d.

1905: *Edinburgh Gazette*: George Fieldhouse Lloyd (jun.), dentist, declared a bankrupt.

**B A N K R U P T S.**  
**FROM THE LONDON GAZETTE.**

—  
**RECEIVING ORDERS.**

George Fieldhouse Lloyd, Bedford Road, Sandy, Bedfordshire lately residing at 244 Tottenham Court Road, in the county of London, dentist.

4/4/2016

1905: 1<sup>st</sup> April Ann Amelia (Lloyd) Crole [the sister of JAL (I)]:

**CROLE** Ann Amelia of 73 Belvidere-road Upper Norwood Surrey widow died 1 April 1905 at Guernsey Probate London 28 April to Caspar John Kent railway-clerk Effects £15056 12s.

**ANN AMELIA CROLE, Deceased.**  
Pursuant to the Statute, 22nd and 23rd Victoria,  
chapter 35.

**NOTICE** is hereby given, that all creditors and other persons having any claims or demands against the estate of Ann Amelia Crole, formerly of 73, Belvidere-road, Upper Norwood, Surrey, and late of Lombardy House, Cornet-street, in the Island of Guernsey, Widow,

deceased (who died on the 1st April, 1905, and whose will was proved on the 28th April, 1905, by the executor therein named, in the Principal Registry of the Probate Division of the High Court of Justice), are hereby required to send particulars, in writing, of their claims or demands to me the undersigned, on or before the 17th June next, after which date the executor will proceed to distribute the assets of the said deceased amongst the parties entitled thereto, having regard only to the claims and demands of which the executor shall then have had notice; and he will not be liable for the assets of the said deceased, or any part thereof, so distributed, to any person or persons of whose claims or demands he shall not then have had notice.—Dated 1st May, 1905.

JNO. S. TYLER, 79½, Gracechurch - street,  
o38 London, E.C., Solicitor for the Executor.

1907: Nellie Symington Lloyd married Charles Salmon Paddon. Registration Quarter: Apr-May-Jun. Registration district: Croydon.

1908: Lester Harry Lloyd [the son of George Fieldhouse Lloyd Snr. and nephew of JAL (I)] put on trial and convicted for pretending to be a qualified dentist licensed to practice:

## **Medico-Legal.**

### CONVICTION OF AN UNREGISTERED DENTIST.

LESTER HARRY LLOYD, of Rutland Street, Leicester, was summoned at the Leicester Borough Police Court on October for using a false description implying that he was a registered dentist. There were three summonses in respect of three notices, the first of which was "Dentistry notice. Mr. Lloyd's only address is now 62, Rutland Street." The second was "Perfect and painless dentistry. Mr. Lloyd has removed from Gallowtree Gate to 62, Rutland Street"; and the third was "Mr. Lloyd, many years in Gallowtree Gate. Painless treatment of mouth and teeth. Maker of high-class artificial teeth."

Mr. P. C. Sandlands prosecuted on behalf of the British Dental Association, and Mr. W. F. Curtis appeared for the defence.

Mr. Sandlands said that the question to be decided was whether the style or description of the notices led people to suppose that defendant was registered under the Dentists Act, or that he was a person specially qualified to practise dentistry. He contended that the words "painless dentistry" used by defendant suggested that he was qualified under the Act.

Mr. Lloyd on oath said he knew the provisions of the Act, and had always endeavoured to avoid making himself liable under them. He thought he was quite entitled to use the words "painless dentistry."

The magistrates convicted in the first case, and fined defendant 20s. and five guineas costs. The second case was withdrawn, and in the third defendant was fined 20s. and ordinary court costs.

1909: Baptism of Lloyd cousins: Inez Nancy Lloyd (top left) daughter of John Alexander Lloyd (II) and Lindsey Mary Lloyd (bottom right) daughter of Alfred Edmund Lloyd.

Page 48

BAPTISMS solemnized in the Parish of Chapel St in the County of Swthland in the Year One thousand 1910

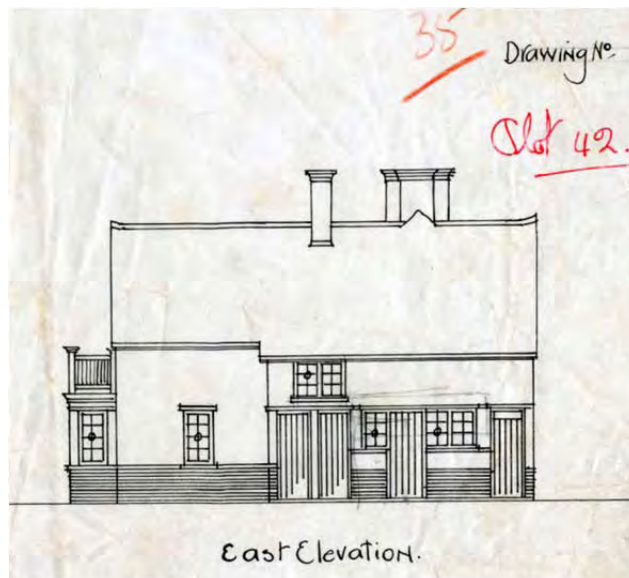
When Baptized	Child's Christian Name	Parent's Names		Abode	Quality, Trade, or Profession	By whom the Ceremony was performed
		Christian	Surname			
1910 Nov. 21 No. 877	May May May	John Hendry Hendry	Lloyd	London Chaplain	Resurrection	James A. Henry Rector
1910 Jan. 8 No. 878	Edward Edward	Alfred John Smith	Smith	Plant Lloyd Chaplain	Architect	James A. Henry Rector
1910 Jan. 16 No. 879	Laura Laura White	Charles Charles Gardner	Beadle	Stewart Lloyd Chaplain	Gardener	James A. Henry Rector
1910 Feb. 13 No. 880	Evangel Ada	Harry Benjamin Wade	Wade	House Gardener	Self Employment	James A. Henry Rector
1910 Feb. 27 No. 881	Wilde Mabel	William James Standish	Standish	Ruffell Lloyd Chaplain	Carpenter	James A. Henry Rector
1910 March 6 No. 882	Elmi Cecilia	Thomas James Barnes	Barnes	Murray Lloyd Chaplain	Laborer	James A. Henry Rector
1910 March 19 No. 883	Arnold Peggy Glynis	Arnold Percy Adam	Adam	White Lloyd Chaplain	Gentleman	James A. Henry Rector
1910 March 20 No. 884	Arthur Robert	George Arthur Gunter	Gunter	North Lloyd Chaplain	Joiner	James A. Henry Rector

Page 49

BAPTISMS solemnized in the Parish of Chapel St in the County of Swthland in the Year One thousand 1910

When Baptized	Child's Christian Name	Parent's Names		Abode	Quality, Trade, or Profession	By whom the Ceremony was performed
		Christian	Surname			
1910 March 27 No. 885	Joan Moffet	Samuel James King	King	10 Lloyd Chaplain	Chapman	James A. Henry Rector
1910 April 3 No. 886	Lilian May	John Walter Thurwell	Thurwell	10 Lloyd Chaplain	Caravan	James A. Henry Rector
1910 April 26 No. 887	Edie Annie	Patrick Walter Hester	Hester	14 Lloyd Chaplain	Carpenter	James A. Henry Rector
1910 June 23 No. 888	John Stanley	David Francis Gifford	William	21 Lloyd Chaplain	Miner	James A. Henry Rector
1910 July 9 No. 889	Joseph Dorothy	John William Fulmer	Fulmer	28 Lloyd Chaplain	Street Carpenter	James A. Henry Rector
1910 July 10 No. 890	Muriel Alma Agnes	William James Stephens	Stephens	10 Lloyd Chaplain	Gardener	James A. Henry Rector
1910 July 31 No. 891	George William Gene	Alfred James Petcham	Petcham	10 Lloyd Chaplain	Gardener	James A. Henry Rector
1910 Aug. 14 No. 892	Lindson Mary	Alfred Edward Lloyd	Lloyd	10 Lloyd Chaplain	Manufacturer	James A. Henry Rector

1910 Lester Harry Lloyd was a London-born Dentist who moved to this house on Swithland Lane with his wife and two young sons. Examples of architectural plans submitted by clients of Rothley Temple Estates.



4/4/2016

1911 census shows Mary Lloyd, the widow of Frederick Thomas Lloyd (brother of John Alexander Lloyd (I)), and her daughter Mary Fieldhouse Lloyd.

**CENSUS OF ENGLAND AND WALES, 1911.**

*Before writing on this Schedule please read the Examples and the Instructions given on the other side of the paper, as well as the headings of the Columns. The entries should be written in Ink.*

*The contents of the Schedule will be treated as confidential. Strict care will be taken that no information is disclosed with regard to individual persons. The returns are not to be used for proof of age, or in connection with Old Age Pensions, or for any other purpose than the preparation of Statistical Tables.*

NAME AND SURNAME	RELATIONSHIP to Head of Family	AGE last birthday and SEX	PARTICULARS as to MARRIAGE		PROFESSION or OCCUPATION of Person aged ten years and upwards.	BIRTHPLACE of every person.	NATIONALITY of every Person born in a Foreign Country.	INFIRMITY.	
			Married	Single					
1. Mary Lloyd	Head	34	Widow		Private Duties	370		London (Windsor)	0 0 0
2. Mary Esthline Lloyd	Daughter	27	Single		Bank Teller	150		London (Kew)	1 7 0
3. Hugh Henry Hall	Boarder	82	Married		General Servant (domestic)			London (Kew)	0 0 0
4. Kate Leitch Blamires	Servant	24	Single					London (Upper Wood)	

(To be filled up by the Enumerator)

(To be filled up by, or on behalf of the Head of Family or other person in occupation, or in charge, of this dwelling)

Signature: *Mary Lloyd*  
 Postal Address: *19 North Colindale Avenue, N.W.*

1911 Census Alfred Edmund Lloyd and Family.

**CENSUS OF ENGLAND AND WALES, 1911.**

*Before writing on this Schedule please read the Examples and the Instructions given on the other side of the paper, as well as the headings of the Columns. The entries should be written in Ink.*

*The contents of the Schedule will be treated as confidential. Strict care will be taken that no information is disclosed with regard to individual persons. The returns are not to be used for proof of age, or in connection with Old Age Pensions, or for any other purpose than the preparation of Statistical Tables.*

NAME AND SURNAME	RELATIONSHIP to Head of Family	AGE last birthday and SEX	PARTICULARS as to MARRIAGE		PROFESSION or OCCUPATION of Person aged ten years and upwards.	BIRTHPLACE of every person.	NATIONALITY of every Person born in a Foreign Country.	INFIRMITY.	
			Married	Single					
1. Alfred Edmund George Lloyd	Head	32	Married		None			London (St. Pancras)	0 0 0
2. Edith Mary George Lloyd	Wife	34	Married					London (St. Pancras)	1 7 0
3. Henry Mary George Lloyd	Child	7	Single					London (St. Pancras)	0 0 0
4. Mary Frances	Servant	32	Single		Cook			London (St. Pancras)	1 6 0
5. Amy Frances	Servant	25	Single		None			London (St. Pancras)	0 0 0

(To be filled up by the Enumerator)

(To be filled up by, or on behalf of the Head of Family or other person in occupation, or in charge, of this dwelling)

Signature: *Edith Lloyd*  
 Postal Address: *Langston College, Chipping Norton*

1911 Census John Alexander Lloyd (II), tin box manufacturer with a visitor – no members of the family are counted.

**CENSUS OF ENGLAND AND WALES, 1911.**

Before writing on this Schedule please read the Examples and the Instructions given on the other side of the paper, as well as the headings of the Columns. The entries should be written in Ink.

The numbers of the Schedule will be treated as confidential. Strict care will be taken that no information is disclosed with regard to individual persons. The returns are not to be used for proof of age, or in connection with Old Age Pensions, or for any other purpose than the preparation of Statistical Tables.

NAME AND SURNAME	RELATIONSHIP to Head of Family	AGE last birthday	PARTICULARS as to MARRIAGE						PROFESSION or OCCUPATION of Person, and his usual sphere				BIRTHPLACE of both Parents	NATIONALITY of both Parents	INFIRMITY	
			Married	Single	Widow	Divorced	Married in England or Wales	Married in Foreign Countries	Personal Description	Industry or Service with which he is connected	Whether he is engaged in any business, profession, or occupation	Whether he is engaged in any industry or service				
John Thomas Lloyd	Head	48	3	2	2	2	2	tin can manufacturer	tin can manufacturer	tin can manufacturer	tin can manufacturer	tin can manufacturer	tin can manufacturer	tin can manufacturer	tin can manufacturer	tin can manufacturer
Ethel Clara Lloyd	Wife	36						domestic servant	domestic servant	domestic servant	domestic servant	domestic servant	domestic servant	domestic servant	domestic servant	domestic servant
Harry Vyvian Lloyd	Son	10						school	school	school	school	school	school	school	school	school
Jessamine Ruth Lloyd	Daughter	9														
Margaret Ethel Lloyd	Daughter	7														
Charles Peter Lloyd	Daughter	3														
Nancy Lloyd	Daughter	0														
Muriel Johnson	Domestic	26						domestic servant	domestic servant	domestic servant	domestic servant	domestic servant	domestic servant	domestic servant	domestic servant	domestic servant
Audry Johnson	Domestic	16						domestic servant	domestic servant	domestic servant	domestic servant	domestic servant	domestic servant	domestic servant	domestic servant	domestic servant
Margaret Elizabeth Silkes	Domestic	20						domestic servant	domestic servant	domestic servant	domestic servant	domestic servant	domestic servant	domestic servant	domestic servant	domestic servant
Beatrice Howard	Domestic	19						domestic servant	domestic servant	domestic servant	domestic servant	domestic servant	domestic servant	domestic servant	domestic servant	domestic servant

(To be filled up by the Enumerator)

(To be filled up by, or on behalf of, the Head of Family or other person in occupation, or in charge, of this dwelling)

1911 Census Charles Frederick William Lloyd (48) [tin can manufacturer]; wife Ethel Clara Lloyd (36); Harry Vyvian Lloyd (10); Jessamine Ruth Lloyd (9); Margaret Ethel Lloyd (7); Charles Peter Lloyd (3); Nancy Lloyd (0); Domestic servants: Muriel Johnson (26); Audry Johnson (16); Margaret Elizabeth Silkes (20); and Beatrice Howard (19).

**CENSUS OF ENGLAND AND WALES, 1911.**

Before writing on this Schedule please read the Examples and the Instructions given on the other side of the paper, as well as the headings of the Columns. The entries should be written in Ink.

The numbers of the Schedule will be treated as confidential. Strict care will be taken that no information is disclosed with regard to individual persons. The returns are not to be used for proof of age, or in connection with Old Age Pensions, or for any other purpose than the preparation of Statistical Tables.

NAME AND SURNAME	RELATIONSHIP to Head of Family	AGE last birthday	PARTICULARS as to MARRIAGE						PROFESSION or OCCUPATION of Person, and his usual sphere				BIRTHPLACE of both Parents	NATIONALITY of both Parents	INFIRMITY
			Married	Single	Widow	Divorced	Married in England or Wales	Married in Foreign Countries	Personal Description	Industry or Service with which he is connected	Whether he is engaged in any business, profession, or occupation	Whether he is engaged in any industry or service			
Charles Frederick William Lloyd	Head	48	3	2	2	2	2	tin can manufacturer	tin can manufacturer	tin can manufacturer	tin can manufacturer	tin can manufacturer	tin can manufacturer	tin can manufacturer	tin can manufacturer
Ethel Clara Lloyd	Wife	36						shop assistant	shop assistant	shop assistant	shop assistant	shop assistant	shop assistant	shop assistant	shop assistant
Reu Lloyd	Son	13						shop assistant	shop assistant	shop assistant	shop assistant	shop assistant	shop assistant	shop assistant	shop assistant
Florence Sybil Lloyd	Daughter	19						shop assistant	shop assistant	shop assistant	shop assistant	shop assistant	shop assistant	shop assistant	shop assistant
Annie Pricilla Clinch	Daughter	69						grandmother	grandmother	grandmother	grandmother	grandmother	grandmother	grandmother	grandmother
Rachel Lindley	Daughter	15						sewing machinist	sewing machinist	sewing machinist	sewing machinist	sewing machinist	sewing machinist	sewing machinist	sewing machinist

(To be filled up by the Enumerator)

(To be filled up by, or on behalf of, the Head of Family or other person in occupation, or in charge, of this dwelling)

1911 Census - Florence Sybil (Clinch) Lloyd the widow of Reu Ashkenaz Lloyd aged 40 along with her children: Florence Sybil Lloyd (19) shop assistant, draper; Dorothy Beatrice Lloyd (15) Sewing machinist, Millinery; Reu Lloyd (13); Annie Pricilla Clinch (69) [grandmother]; and Rachel Lindley

**CENSUS OF ENGLAND AND WALES, 1911.**

*Before writing on this Schedule please read the Examples and the Instructions given on the other side of the paper, as well as the headings of the Columns. The entries should be written in Ink.*

*The contents of the Schedule will be treated as confidential. Strict care will be taken that no information is disclosed with respect to individual persons. The returns are not to be used for proof of age, or for any other purpose than the preparation of Statistical Tables.*

NAME AND SURNAME	RELATIONSHIP to Head of Family	AGE (Date of Birth)	PARTICULARS as to MARRIAGE		PROFESSION or OCCUPATION of Person aged ten years and upwards		RETIRED (If every year)	NATIONALITY at date of Birth	INFIRMITY
			Married	Widow	Personal Description	Industry or Service with which worker is connected			
1. <i>Alfred Edmund Lloyd</i>	<i>Head</i>	<i>40</i>	<i>Widow</i>						
2. <i>Edith Mary Lloyd</i>	<i>Daughter</i>	<i>19</i>	<i>Single</i>		<i>Shop Assistant, Dept. 59</i>				
3. <i>Edith Mary Lloyd</i>	<i>Daughter</i>	<i>17</i>	<i>Single</i>		<i>Senior Municipal School</i>				
4. <i>Sheilah Mary Lloyd</i>	<i>Daughter</i>	<i>13</i>	<i>Single</i>		<i>School</i>				
5. <i>Edith Mary Lloyd</i>	<i>Daughter</i>	<i>12</i>	<i>Single</i>						
6. <i>Edith Mary Lloyd</i>	<i>Daughter</i>	<i>10</i>	<i>Single</i>						

*(To be filled up by the Enumerator)*

Male	Female	Unknown
1	5	6

*(To be filled up by, or on behalf of, the Head of Family or other person in charge, or in charge of this dwelling)*

Write below the *Signature* of the Head of Family in this dwelling (House, Tenement, or Apartment). Give the address as a town, but do not write railway, landing, quay, street, or other description, when done.

I declare that this Schedule is correctly filled up to the best of my knowledge and belief.

Signature: *Edith Mary Lloyd*

Printed Address: *62 Bulland Street, Leicester*

1911 September 17<sup>th</sup> Baptism of Sheilah Mary Edith Lloyd baptism daughter of Alfred Edmund Lloyd and Edith Mary at Chipsted, Surrey.

1911	Sheilah Mary Edith	Alfred Edmund & Edith Mary	Lloyd	Doughnut Ctty, Chipsted	Manufacture	James A. Henry, Rectr.
Sep. 17						
No. 419						

1912: Baptism of Nancy Fieldhouse Lloyd on 19<sup>th</sup> May at St Margaret's, Chipsted, Surrey, daughter of John Alexander Lloyd (II) and Hilda Mary Walker:

1912	Nancy Fieldhouse	John Alexander & Hilda Mary	Lloyd	Pendennis, Chipsted	Manufacture	James A. Henry, Rectr.
May 19						
No. 482						

Unknown Date: Lid of A. Lloyd manufactured tin caddy found on e-Bay:



1912: October Serug James Lloyd married Annie Hill (1<sup>st</sup> wife).

1912: Lindsay Mary (Symington) Lloyd wife of John Alexander Lloyd (I) died on 23<sup>rd</sup> November – probate record;

**LLOYD** Lindsay of the Grange Chipstead **Surrey** widow died 23 November 1912 Probate **London** 31 January to John Alexander Lloyd and Alfred Edmund Lloyd gentlemen. Effects £26895 6s. 8d.

1914: August Preparing for War.

The Board of Trade are pleased to establish a Trade Board in Great Britain for the making of boxes and canisters from tin plate, ... namely, the lining of packing cases with tinplate, the making of trunks, uniform cases, suit and dress cases, bonnet and helmet boxes, cash and deed boxes, kegs and drums, and any other branch of work which does not form part of the tin box and canister trade. In accordance with the Regulations for the above-mentioned branches of trade .... Twenty-one members representing employers in the trade, chosen by the Board of Trade after considering names supplied by such employers, namely :—

**ETTE, AUGUST 4. 1914.**

Mr. J. A. Lloyd, Messrs. A. Lloyd & Sons Ltd.,  
Pier Wharf, Deptford, London, S.E.

4/4/2016

1916: A Lloyd casualty of war:



LLOYD

Forenames: Alfred Fieldhouse

Date of Death: Monday, 16th August 1915

Regiment: Bedfordshire

Battalion: 1st/5th

Company: -

Rank: Private

Number: 4245

Cause of death: Killed in action

Age: 20

Born: -

Enlisted: Luton

Resident: Luton

Theatre of War: Gallipoli

Buried/Commemorated: Helles Memorial, Turkey

Grave/Memorial Details: Panel 54 and 218

Further information: Son of the late George Fieldhouse Lloyd and Emily Lloyd. Resident 40, Milton Road, Luton.

1922: Lester Harry Lloyd ran afoul of the law. Lester was the son of George Fieldhouse Lloyd (Snr.) and Susannah Davis. His name is sometimes 'Leicester' which is where he was born.

## BEFORE HULL BENCH TO-DAY.

The cases were heard by Mr G. F. Grant (in the chair) and Mrs Oswald Sanderson.

### DRINK!

Mr F. C. Payne, defending in a case in which Lester Harry Lloyd, a dental practitioner of Junction-square, Barton-on-Humber, was charged with stealing a gold watch and bracelet, asked the Bench to make the case such that it would cure prisoner of his drink "disease." Prisoner did not drink habitually, but had outbreaks, and drank himself to absolute stupidity. It was during one of these attacks that Lloyd knocked at the door of 108, Beverley-road, and said he could not get a hotel. He was taken in and allowed to sleep in the children's room. At 3.30 on the 29th June, Marian Cathelin went to her bedroom over the top of 108, Beverley-road, and found that her 18-carat gold lever wristlet watch was missing from its box. She informed the police. It transpired that the prisoner had taken the watch to Mr J. Segal, watchmaker, 38, Porter-street, who lent him £2 5s. and gave him an ordinary repair ticket. When prisoner was charged by Detective Nicklin, he denied all knowledge of having seen the watch. Afterwards, however, he said, "I admit it, I was hard pressed." The bench placed prisoner on probation for three years, during which time he has to abstain from all intoxicating liquor.

## AN EXPLANATION.

With respect to a charge at the court on Wednesday against Lester Harry Lloyd of stealing a gold watch, Mr J. Segal, watchmaker, 38, Porter-street, desires to state that he did not advance £2 5s as a pledge, but as a personal favour. He is not a pawn-broker.

4/4/2016

1923: Death and probate of Ellen Kathleen Lloyd the daughter of William Edmund Harry Lloyd who was JAL (II)'s first cousin. She was 29 years old.

**LLOYD** Ellen Kathleen of Glenthorne St. Margarets Twickenham  
**Middlesex** spinster died 21 December 1923 Probate **London** 29  
 January to Ellen Lowe widow and John Edward Holdich  
 Wartnaby solicitor. Effects £3332 10s. 4d.

1925: The sad demise of George Fieldhouse Lloyd (jnr.) the Dentist on 6<sup>th</sup> September.

**LLOYD** George Fieldhouse of 13 All Saints'-terrace York-road  
**Leeds** died 6 September 1925 Administration **London** 29 October  
 to Reginald Fieldhouse Lloyd dairyman. Effects £38 16s.

George Fieldhouse died at 13 All Saints Terrace, York Road, Leeds (below).



This article appeared in the *Daily Mail* – 8<sup>th</sup> September 1925. [The original appears below this transcription.]

#### VARIED CAREER AND SHOCKING DEATH

Said to have drunk the contents of six pint bottles and four whisky bottles of methylated spirits in a short period before his death, George Saw (76), peddler of All Saints' Terrace, York Road, Leeds, was found dead in his house on Sunday.

A remarkable story of the old man's eccentric habits was told at the inquest held on Monday. It was said that he had been a sailor, a surgeon-dentist, a peddler, and an amateur painter. As far as was known, he had no relatives. He had lived in All Saints terrace for six years, and had been addicted to heavy drinking.

He seemed to have been well brought up, and it was doubtful if his real name was Saw. He had papers which referred to a George Fieldhouse Lloyd, but this name, the old man had explained,

4/4/2016

was that of either his brother or his nephew. Other papers related to property in Bedfordshire, and dealt with matters as far back as 1826. It was not clear whether he was connected with the property spoken of. In his house were 44 paintings, some of which were thought to be valuable.

**VARIED CAREER AND SHOCKING DEATH.**

Said to have drunk the contents of six pint bottles and four whisky bottles of methylated spirits in a short period before his death, George Saw (76), pedlar, of All Saints'-terrace, York-road, Leeds, was found dead in his house on Sunday.

A remarkable story of the old man's eccentric habits was told at the inquest held on Monday. It was said that he had been a sailor, a surgeon-dentist, a pedlar, and an amateur painter. As far as was known, he had no relatives. He had lived in All Saints-terrace for six years, and had been addicted to heavy drinking.

He seemed to have been well brought up, and it was doubtful if his real name was Saw. He had papers which referred to a George Fieldhouse Lloyd, but this name, the old man had explained, was that of either his brother or his nephew. Other papers related to property in Bedfordshire, and dealt with matters as far back as 1826. It was not clear whether he was connected with the property spoken of. In his house were 44 paintings, some of which were thought to be valuable.

1927: Serug James Lloyd married Rose Manship (2<sup>nd</sup> wife) at Leicester. Serug was the son of George Fieldhouse Lloyd (snr.). Like his father and brother, George Fieldhouse (jnr), Serug was also a dentist.

1928 Alfred Edmund Lloyd's wife Edith Mary Dow died on 24<sup>th</sup> September:

**LLOYD** Edith Mary of The Manor House Woodmansterne **Surrey**  
(wife of Alfred Edmund Lloyd) died 24 September 1928 Admin-  
istration **London** 30 November to the said Alfred Edmund  
Lloyd manufacturer. Effects £552.

1928: How Serug James Lloyd ended his own life and that of his wife on 21<sup>st</sup> December:

# HOUSE OF TRAGEDY.

---

## MAN AND WIFE FOUND DEAD: BROTHER INJURED.

---

### BLOOD-STAINED CHOPPER.

A man and his wife were found dead at the house of a Leicester dentist on Friday night, and their young son was taken to the Leicester Infirmary in a critical condition.

The discovery was made by their adopted son, Leonard Lloyd, on his return from work. Finding the house—in Junction-road, Leicester—locked up, he climbed through a bedroom window and then descended to the kitchen, where he found his small brother, Gordon Lloyd, aged 8, lying in a pool of blood. He had apparently been struck down while he was playing, for a pair of toy scales lay beside him. He was moaning.

Another brother, James, arrived home from school, and the two boys went into the front room. There they found their mother lying dead with a cover over her, and a blood-stained chopper and length of iron piping beside her. Making a tour of the house, they found their father, James Lloyd, a dentist, lying dead in the surgery upstairs, with a bottle at his side.

It is believed that the death of Mrs Lloyd, who had terrible head injuries, was caused by the chopper or the iron piping, and Lloyd is supposed to have been poisoned.

Leonard, who is 16 years of age, said that his father married Mrs Lloyd two years ago. Mrs Lloyd was some years younger than her husband.

## DOUBLE TRAGEDY.

### Man and Wife Dead at Leicester.

A double tragedy was discovered at Leicester by a young man, the adopted son of Mr. J. Lloyd, a dentist, of Junction-road. Mrs. Rose Lloyd was found dead with terrible head wounds, and an eight-year-old son lies in a critical condition at the Infirmary. Mr. Lloyd was found in his surgery upstairs with a poison bottle beside him. He was dead. A piece of iron piping and a chopper have been found by the police.

James Lloyd and his wife Rose had been married about 12 months, Mrs. Lloyd being some years younger than her husband.

Occupants of the house included Gordon Lloyd (8), a son of James Lloyd by a former marriage, who is lying at the point of death; James Haydn Lloyd (13), another son; and Leonard Morris (16), a nephew.

The nephew arrived home, and finding the house locked up had to climb through a window. He first found Gordon in the sitting-room with severe head injuries. In a bedroom was Mrs. Lloyd terribly injured, and apparently hacked about with a chopper and a piece of iron piping which were lying near. In a third room was James Lloyd, dead, with a bottle that had contained poison by his side.

The injured child was Gordon Lloyd who survived. Below, James Hayden Lloyd



## ATTACKED WIFE AND SON.

### Dentist Poisons Himself.

Verdicts of murder and suicide, with the proviso that there was not sufficient evidence to show the state of his mind, were returned at the inquest on James Serug Lloyd (50), a dentist, who at Leicester on Friday killed his wife, attacked his eight-year-old son, now in the infirmary, and then poisoned himself.

The weapons used were a heavy plaster knife and handle of a book press.

Dr Barr said the woman must have been attacked in a very savage manner.

Leonard Eaton Morris, a nephew, who made the tragic discovery, said there had been frequent quarrels between the deceased and his wife. The husband had accused his wife of going with other men but witness said that was untrue. He was very fond of his son. At times the husband seemed strange and made up silly rhymes.

## MURDER BY HUSBAND.

### DENTIST'S TRIPLE CRIME.

An inquest was held at Leicester on Monday on James Serug Lloyd, aged 50, dentist, of Junction-road, Leicester, and his wife Rose, aged 47, who were found dead in their home on Friday.

Their eight-years-old son Gordon, who was injured, is in hospital in a critical condition.

It was stated that the man killed his wife and injured his son with a knife and the handle of a book press and then poisoned himself.

Leonard Eaton Morris, a nephew, said there had been frequent quarrels between husband and wife. Lloyd accused his wife of going with other men, but that was untrue. Lloyd was very fond of his injured son.

The jury found that Lloyd murdered his wife and then committed suicide, but there was not sufficient evidence as to the state of his mind.

## STOP PRESS

"GAZETTE," SATURDAY, 4 a.m.

### FAMILY TRAGEDY.

Mrs. Rose Lloyd, wife of Mr. James Lloyd, dentist, of Leicester, was last night found dead in a bedroom of the house with terrible head injuries. Mr. Lloyd was dead in another room with a bottle that had contained poison beside him; and Gordon Lloyd, aged eight, son of Mr. Lloyd by a former marriage, was found injured in the sittingroom and is in a critical condition. The discovery was made by a nephew, Leonard Morris, who had to climb through a window.

### DENTIST AND WIFE DEAD.

#### EIGHT-YEAR-OLD SON IN CRITICAL STATE

Mr. James Lloyd, a dentist, of Leicester, and his wife, Rose, were found dead in their house on Saturday evening. Mrs. Lloyd was terribly injured, and her husband had apparently died from poisoning. An eight-year-old son was also found badly injured and is not expected to live.

**MURDER AND SUICIDE.**

**SHOCKING DOMESTIC TRAGEDY AT LEICESTER.**

**CHILD VICTIM'S LIFE DESPAIRED OF.**

A shocking tragedy was discovered at about six o'clock last night at Leicester, when the bodies of James Serug Lloyd, dentist, aged about 50, and his wife, Rose Lloyd, aged 44, were found at their home, 52, Junction-road.

Gordon Lloyd, aged 8, son of James Lloyd by a former marriage, was found lying so badly injured that his life is despaired of.

The discovery was made by Leonard Morris, aged 16, a nephew of James Lloyd.

He went home at about six o'clock and found the house locked up and in darkness. He climbed through a bedroom window, and in the sitting-room found the boy.

He called assistance, and when further search was made the body of Mrs. Lloyd was found in a terribly mutilated condition. There were a chopper and a piece of iron piping close to the body. James Lloyd was found dead in a bedroom with a bottle of poison by his side.

The neighbour, who was called in by the boy Morris, summoned the police and a doctor. The bodies were removed to the mortuary and the

---

**Home, Sweet Home**

**"Knecker Post's" Rendezvous**

---

boy to the Infirmary. The latter is stated to be suffering from a fractured skull and cuts about the face.

Apparently the tragedy occurred in the middle of the afternoon. The man, it is alleged, attacked his wife and child and then committed suicide. He was married to the deceased woman about 12 months ago, and it is said that the marriage was not successful, that Lloyd was of a jealous disposition, and that quarrels were frequent.

Another son, James Hayden George Lloyd, aged 13, was also living in the house, but he was away from home during the afternoon, and returned just after the discovery had been made.

The inquest on the victims will probably be opened on Monday.

The boy, Gordon, is still in a critical condition. But for the fact that he had earache he would have been at school when the tragedy happened.



James Hayden Lloyd was born on 27<sup>th</sup> August 1915 at 267 Belgrave Gate, Leicester the son of James Serug Lloyd and Annie Hill. He died in September 2000 in Cheshire. Below, his wife Florence Marjorie Townson born on 31<sup>st</sup> August 1916 at Rock Ferry, Birkenhead, Cheshire, and died in April 2002, Cheshire.



4/4/2016

1928 Probate of Serug James Lloyd the son of George Fieldhouse Lloyd (Snr.) and Susannah Davis:

**LLOYD** Serug James of 52 Junction-road **Leicester** died 21 December 1928 Administration **Leicester** 13 July to William Hayden Lloyd agricultural labourer and Rose Morris spinster. Effects £589 16s. 11d.

1929 March 4<sup>th</sup> The Great Fire at Deptford

THE DERBY DAILY TELEGRAPH. THURSDAY. MARCH 14. 1929. 7  
**£100,000 DAMAGE IN MIDNIGHT DOCKLAND FIRE**

**THIS MORNING'S BIG LONDON FIRE.**



A *Daily Mail* photograph taken at 3 o'clock this morning while the big fire at Deptford, S.E., was in progress.

## 300 FIREMEN FIGHT WALL OF FLAMES

### Families Leaves Homes

### 10 MILE GLARE

### Two Buildings Destroyed

THREE hundred firemen were engaged for many hours early today in quelling one of the biggest fires that has occurred in South East London for many years.

Damage is estimated at over £100,000.

Shortly before midnight a policeman noticed flames and smoke issuing from a riverside factory. He gave the alarm, and within a short time 33 fire engines were on the scene.

Firemen said it was the biggest fire London has seen for many years. The fierce red glare could be seen from many parts of London, and from places ten miles away.

#### HOUSES EVACUATED.

One house was gutted and several families were warned to leave their homes owing to the danger.

The blaze was whipped by a strong easterly wind. Floats in the river helped to fight the flames so long as the state of the tide enabled them to do so.

The two buildings which were destroyed were the factory of Lloyd and Sons, makers of tin boxes and canisters, and the premises of Payne Bros., paper manufacturers.

Nothing remains of the stock of both firms. Even the water front 200 feet long, has been burnt away to the stone quay.

A number of the fire engines drew up against the river and drew up water through their suction pipes, which were dropped over the quayside into the water.

#### FIREMAN INJURED.

After several hours, when the blaze was under control, the people whose houses had been in danger, were allowed to return, but in 13 cases the ground floor rooms were flooded.

A fireman, William Thomson Soper, 40, sustained injuries to his left side.

In Payne's building there were stored over four thousand tons of paper.

Rising debris from the roof and walls fell on to the site, and in less than half an hour the interior of the premises was a roaring, crackling inferno.

At times flames shot a hundred feet into the air, and as the roofing collapsed myriads of sparks rushed up into the lurid sky.

#### WOMEN IN EVENING DRESS.

A large number of men and women, many in evening dress, who had been spending the evening in the West End, arrived in motor cars.

Owing to the rapidity with which the fire spread and the unexpected manner in which parts of Messrs. Payne's building collapsed several firemen had narrow escapes.

A group of firemen narrowly escaped injury when they were standing knee deep in water with their hoses directed on the cable end of one of the factories. The huge mass of masonry standing about fifty feet high collapsed without warning, missing them by only a few yards.

#### CAT AND DOGS RESCUED.

Mr. H. Tudor, manager of Messrs. Payne's Paper Wharf, who resides on the premises, told a "Daily Daily Telegraph" reporter that on seeing a fire in the adjoining building and realising the danger he at once colored his wife and daughter to a place of safety.

The fire spread with incredible rapidity and in a few minutes our premises were seriously involved.

"I managed to get my two dogs and the cat out and by that time dozens of fire engines and hundreds of firemen were on the scene."

"One of the firemen succeeded in rescuing my canary and another recovered some jewellery which had been left behind."

## Firemen Awaken Sleepers.

LONDON, March 14.

A fire in which there was a loss of £100,000 commenced at Deptford at mid night. The fire was still smouldering after it had destroyed hundreds of tons of printing paper belonging to A. Lloyd and Sons Ltd. Two hundred firemen made a great effort to suppress the flames. The firemen also had to awaken 150 sleepers in homes adjoining the wharves and help them to leave by fire escapes. At last the fire was confined to the wharves in consequence of a change of wind.



Adjacent streets were deeply flooded by the water poured on the great fire at Deptford, to which engines were rushed from all parts of London early yesterday morning.

4/4/2016

**BIG FIRE AT DEPTFORD.****DAMAGE TO FACTORIES.**

Shortly before midnight a fire occurred at Deptford, and within half-an-hour of its discovery there was a conflagration extending for nearly 200 yards on the river front. The buildings involved were those occupied by Messrs. Lloyd and Sons, box manufacturers, and a paper factory belonging to Messrs. Payne, and situated near the old Deptford Market, which is now an Army supply store.

The fire started in the box factory, and was observed by policemen on duty in the locality. Fanned by the wind the flames spread with great rapidity. A brigade call was circulated, and fire-engines soon arrived from many parts of London, but by that time the wind had carried the flames to the paper factory, where vast quantities of paper were stored. By half-past 12 the roofs of both buildings had fallen in, and the interior of the paper factory resembled a roaring furnace. The blaze could be seen for miles. Besides the fire-engines river-floats poured water on the flames, but it was very soon apparent that the two buildings would be destroyed.

The efforts of the firemen were directed to preventing the fire from spreading to a number of dwelling-houses in the locality, which were fortunately cut off by a road from the burning buildings. On the instructions of the police the people living there left their homes.

By half-past 2 there was little left to be burnt on the premises of Messrs. Lloyd and Sons, the building having then been reduced to a skeleton. But the vast quantity of paper in the adjoining factory still blazed, and there was every indication that the fire in this building would continue for hours. For a considerable time this was a source of danger to a number of small dwelling-houses, as well as to another large paper warehouse, separated from the burning building by a narrow thoroughfare leading to the River Thames.

Twenty-two fire-engines were stationed in the grounds of the Army Supply Store, and with the engines in the streets and the river-floats, the large paper factory, now a wreck, but containing a vast quantity of burning paper, was surrounded by hose pipes pouring water on the conflagration. At 3 o'clock the fire was still burning fiercely, but there was every indication that the firemen would succeed in preventing the flames spreading to adjoining property.

**THE DEPTFORD FIRE.****BRIGADES AT WORK ALL DAY ON BLAZING FACTORY.**

Over 200 firemen were engaged yesterday in quelling the fire at Deptford which was reported in our later editions yesterday. Two large wharves were involved—the tin box and canister works of Messrs. Lloyd and Sons, Limited, and premises belonging to Messrs. Payne Brothers, Limited, wharfingers, lighterage and cartage contractors, in which great quantities of paper were stored. The fire in Messrs. Lloyd's was got under first, but for long after Messrs. Payne's building was a mass of flame. The rolls of paper were a ready prey for the flames and gave off tremendous heat, rendering the task of the firemen still more difficult. The wind veered round farther to the east, causing considerable anxiety regarding the old Deptford Cattle Market, now used as the Army Supply Reserve Depot. Fortunately, the progress of the fire in that direction was effectively prevented, a high wall proving a good barrier.

Mr. H. Tudor, manager of Messrs. Payne's paper wharf, who lives on the premises with his wife and daughter, said the fire spread with incredible rapidity. He managed to get his two dogs and the cat out and by that time dozens of fire engines and hundreds of firemen were on the scene. One of the firemen rescued his canary and another secured some jewelry which had been left behind.

At dawn the fire was still in progress and the firemen were relieved by others. By 8 o'clock little more than the shell of the central warehouse was standing, while inside huge stacks of paper were blazing furiously. Attacking the flames from all angles outside the buildings, the firemen were in constant peril. At one period a 30ft. high wall began to bulge. The men retreated a few yards and instantly, with a tremendous crash, a piece of masonry, some 35ft. long, came hurtling down at their feet, missing them narrowly. At 9.30 a.m. the flames were still mounting many feet high inside the skeleton remains of Messrs. Payne's building. Scores of firemen, some of them perched in precarious positions, continued their fight, but the heat was so intense that the flames seemed to absorb the thousands of gallons of water poured on them.

Firemen remained on duty all day and last night the fire appeared to be well under control.

**LATE NEWS.****GREAT LONDON FIRE.****BIGGEST IN 20 YEARS.****PEOPLE DRIVEN FROM HOMES.**

East London was lit up early this morning by a great fire which broke out on the south shore of the Thames at Deptford, S.E., close to the Royal Victualling Depot.

Two great wharves, the tin-box and canister factory of Messrs. A. Lloyd and Sons, Ltd., and a paper wharf were rapidly blazing from end to end. Within half an hour flames were shooting up to 100ft., and the streets for half a mile around were as light as by day. The glare in the sky could be seen right across London.

Firemen of 20 years' experience said it was greater than anything they had ever seen. More than 200 firemen and 30 fire engines with other appliances were mobilised.

The fire spread so rapidly and became so fierce that the police hurriedly evacuated the residents in Watergate-street, running down to the factory. About half an hour after the outbreak one of the houses at the end of the street caught fire.

Fire engines, water towers and other appliances were rushed from all over London.

A *Daily Mail* reporter in a rowing boat was unable to approach within 50 yards owing to the intense heat. There was more than 200 feet of fire fronting the riverside, with masses of flaming debris continually crashing to the foreshore or falling with a hiss into the river.

The fire started in Messrs. Lloyds' premises and their three large factories were quickly ablaze. The flames then spread to the larger premises of Messrs. Payne Bros., Ltd., paper manufacturers.

The glass roof quickly collapsed, and over an area which measures approximately 200 ft. by 80 ft. there was nothing to be seen except a sheet of flame. The three factories belonging to Messrs. Lloyds were completely burned out.

**AID FROM RIVER FLOATS.**

The fire floats Beta III, and Gamma II, were summoned and attacked the flames from the river. Lines of ordinary hose were run out from one float to help the firemen on shore, while the other patrolled the 200 feet of flaming buildings playing her hose continuously.

The scene in Butchers-row and the narrow turning behind the premises at 1 a.m. was a terrible one. The box factory was a furnace. The roof had fallen in, and amid the roaring flames there hung pieces of partially melted galvanised iron. Payne's Paper Wharf was filled with flame, and although there seemed a danger of an upper floor filled with heavy rolls of paper collapsing, the firemen worked in the heart of the building beneath it right against the flames.

At 2.30 a.m. Watergate-street and Butchers-row were deeply flooded. As the paper wharf became more deeply involved, large fragments of burning paper swept through the air, providing a new menace. At 2.30 a.m. the fire, which had been raging for three hours, was still filling the sky. Flames 30 feet high were still leaping from the shells of the blazing factories.

At four o'clock this morning the paper wharf and the tin-box factory were still burning fiercely.

4/4/2016

1939: Probate of Mary Fieldhouse Lloyd. She was the daughter of Frederick Thomas Lloyd.

**LLOYD** Mary Fieldhouse of 31 Elmhurst-court St. Peters-road Croydon **Surrey** spinster died 7 February 1939 at Croydon General Hospital Croydon Surrey Probate **London** 6 April to John Alexander Lloyd retired manufacturer and Cyril Land Baddeley solicitor. Effects £2619 1s. 5d.

**MARY FIELDHOUSE LLOYD, Deceased.**

Pursuant to the Trustee Act, 1925.

**ALL** persons having claims against the estate of Mary Fieldhouse Lloyd late of 31 Elmhurst Court St. Peters Road Croydon in the county of Surrey (formerly of 24A Queens Mansions South Croydon in the same county) Spinster (who died on the 7th day of February 1939 and whose Will was proved in the Principal Probate Registry on the 6th day of April 1939 by John Alexander Lloyd and Cyril Land Baddeley, the executors named in the said Will) are requested to send particulars thereof in writing to the undersigned on or before the 30th day of June next, after which date the executors will proceed to distribute the assets, having regard only to the claims of which they shall then have received notice.—Dated this 18th day of April 1939.

**BADDELEY, WARDLAW and CO., 77,**  
Leadenhall Street, London, E.C.3, Solicitors  
(122) for the said Executors.

UNDATED John Alexander Lloyd (I) with wife Lindsay Mary Symington (seated) and their two sons: John Alexander Lloyd (II) [Alec] and Alfred Edmund Lloyd, and daughters Leonora Weldon Lloyd. (?)



Below: A much later image of JAL I



Below: Lid of tin container manufactured by John A. Lloyd & Sons:



NO DATE:

**Small Tin Boxes (R. W. T.—89/11).**—The following are makers of tin boxes for all purposes:—Messrs. A. Lloyd and Sons, Ltd., Mill Street, Dockhead, London, S.E. ; The Tinplate Decorating Co., Ltd., Neath; Messrs. G. and T. Coward, Carlisle.

A. Lloyd & Sons, Ltd., have, owing to the great increase in their business, been compelled to obtain larger premises, the removal to which will be done gradually, with a view to causing as little interference with business as possible. All communications for the firm should from to-day be sent to their new works, Pier Wharf, Deptford Green, S.E. (Telephone: New Cross 27.)

1933: Marriage of Inez Mary Lloyd to Harold Bertram Waters on 12<sup>th</sup> September, at Michael's, Betchworth, Surrey.

4/4/2016

1935. Marriage solemnized at *St. Michael's Church* in the *Parish* of *Bitchbold* in the County of *Worcester*

No.	When Married.	Name and Surname.	Age.	Condition.	Rank or Profession.	Residence at the time of Marriage.	Father's Name and Surname.	Rank or Profession of Father.
42	1872	Harold Beaman Wilton	46	Bachelor	Civil Surveyor	Here, Old Court.	George Alexander Thomas Wilton	Banker
	1935	Mrs Mary Lloyd	46	Widow	-	Bitchbold	John Alexander Lloyd	Architect

Married in the *Old Church* according to the Rites and Ceremonies of the *Established Church* by *License* or after by me.

This Marriage was solemnized between us, *Harold Beaman Wilton* in the Presence of us, *Mrs Mary Lloyd* *John A. Lloyd* *D. H. Campbell* *J. H. Kennedy*

1934: A Cruise to the West Indies:

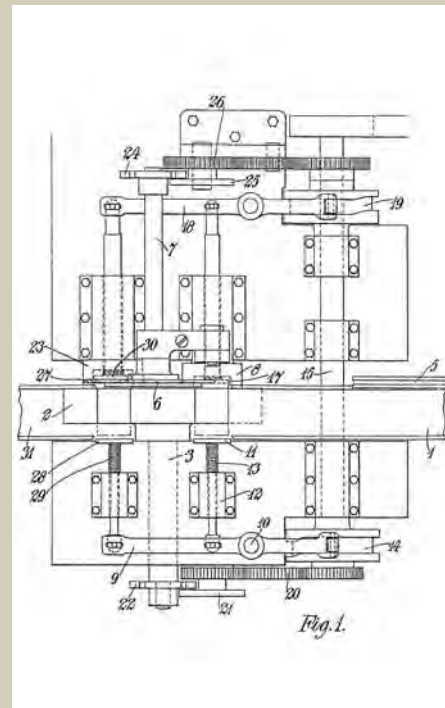
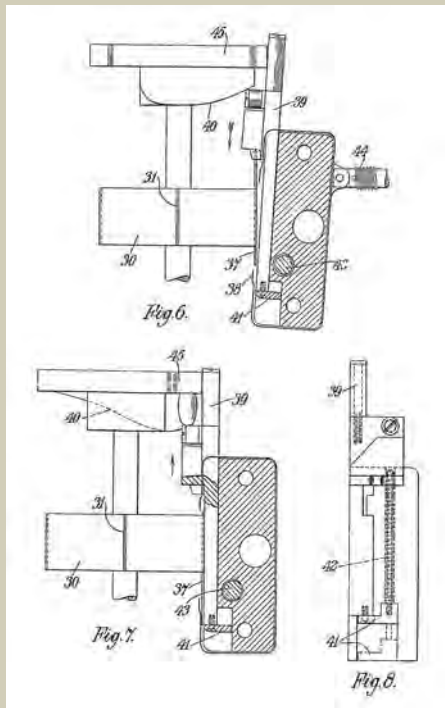
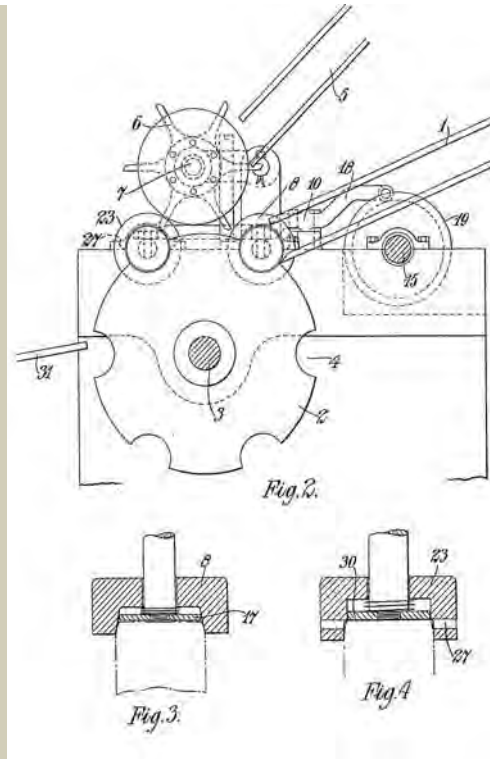
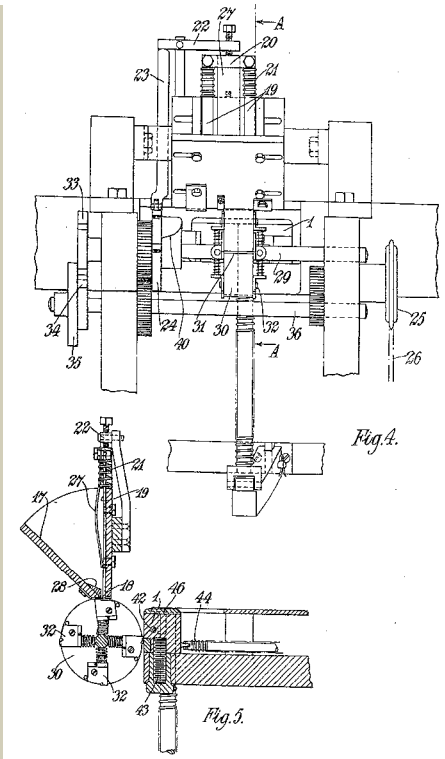
[0477] 16037/214 3000 9/21 6420 0 & 6 118 172

Name of Ship "CARABE" Date of Departure 22nd January 1934 192 P.M. 21.  
 Steamship Line Elders & Pyffer Limited. Where Bound Barbados, Trinidad, La Guayra, Limon, Cristobal, Kingston.

NAMES AND DESCRIPTIONS OF BRITISH PASSENGERS EMBARKED AT THE PORT OF *Amcunmouth*

Contract Ticket Number	NAMES OF PASSENGERS	Last address in the United Kingdom	CLASS (Whether 1st, 2nd or 3rd)	Port at which Passengers have contracted to land	Profession, Occupation or Calling of Passengers	AGES OF PASSENGERS						Country of Last Permanent Residence*					Country of Intended Future Permanent Residence*
						Adults of 15 years and upwards		Children		Infants		English	Wales	Scotland	Ireland	British Possessions	
Male	Female	Male	Female	Male	Female	Male	Female	Male	Female	Male	Female						Male
30060	Lloyd.	Wickham Court Hotel	1	do	None.	64							X				do
✓	John Alexander Lloyd.	West Wickham Court.	1	do	Widgottrove.	46							X				do
✓	Hilda Mary Lloyd.	do.	1	do	None.	21							X				do
	Nancy Fieldhouse.																

1935 Below, some of Alfred Edmund Lloyd's patent drawings:



4/4/2016

1938 Harry Vyvian Lloyd (standing) and his wife Kitty Wakeford and Harry's brother in law Eric Wakeford and one unknown. Harry was the son of Charles Frederick William Lloyd and grandson of William Henry Lloyd who was JAL (I)'s brother (see charts).



1942 Death of Michael Edmund Lloyd son of Alfred Edmund Lloyd on 18 June 1942 while on administrative leave at Llandundo.

**LLOYD** Michael Edmund of The Manor House Woodmansterne Surrey died 18 June 1942 on war service Administration Llandundo 13 August to Alfred Edmund Lloyd managing director. Effects £999 17s. 3d.

**LLOYD, Sub-Lieut. MICHAEL EDMUND. R.N.V.R. H.M. Lighter A.18. 18th June, 1942. Age 22. Son of Alfred Edmund and Edith Mary Lloyd. 66, 1.**

The end of the company ...

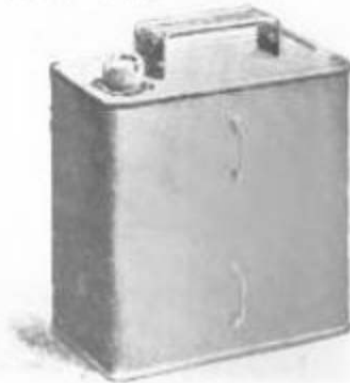
Section 40(3) empowered modification of the Rules in Schedule 4 in relation to various prescribed circumstances, including exceptional depreciation of assets due to the war. In *A Lloyd & Sons Ltd v CIR* (1930) 9 ATC 144 the company failed in a claim in respect of its goodwill. The business was to make containers for the tea export trade. That business declined during the war, and apparently it would never revive because the tea growers took to selling direct rather than via the entrepot trade. Doubts were expressed whether goodwill fell within section 40(3) at all, but the Board of Referees' decision against the company was upheld on the footing that it was a finding of fact that the loss of business was due to the tea growers' change of practice rather than due to the war.

1947 Harry Vyvian Lloyd probate:

**LLOYD** Harry Vyvian of 24 Monksdene-gardens Sutton Surrey died 12 August 1947 Administration (with Will) London 22 March to Kathleen Florence May Lloyd widow and Cyril Henry John Wakeford gas company clerk. Effects £16958 1s. 9d.

### **Lloyds' Reserve Petrol Tin.**

The appended illustration will give a good idea of Messrs. Lloyd and Sons' speciality referred to in a recent issue. This useful accessory is made in two capacities,  $\frac{1}{2}$  and 1 gallon. Strap loops are provided, so that it can be securely attached to the carrier of machine, and keep firm even when machine is subject to much vibration. The makers' address is Lloyd and Sons, Mill Street, London, S.E.



1944 Death notice in the *Daily Mail* 12<sup>th</sup> July for Edith (Sollitt) Lloyd. She was the widow of Lester/Leicester Harry Lloyd. Lester was the son of George Fieldhouse Lloyd Snr. and nephew of JAL (I):

**LLOYD.**—On 30th June, 1944, at the home of her daughter, Mrs Haidee Pearson, Kelshall, Herts., Edith, widow of Lester Harry Lloyd, daughter of the late Robert Sollitt, of Hull. P12  
**PARKER** July 10th at Victoria Hos

1936: Hilda (Walker) Lloyd with her with her granddaughter Janet Ann Lucille Lloyd outside the home of JAL (III).



1944



The records of the John A. Lloyd & Sons Company can be found at the National Archives, Kew [HERE](#)

1948 David Horace Lloyd [brother of John Alexander (III)] and family leave England for Australia:

4/4/2016

Name of Ship **\*HYMATTIA\*** Page 15. Date of Departure **30th October, 1951.**  
 Steamship Line—**P. & O.** Where Bound **PTOURE**

**NAMES AND DESCRIPTIONS OF BRITISH PASSENGERS EMBARKED AT THE PORT OF LONDON**

(1) Crew Name Number	(2) Port at which Passenger has embarked to land	(3) NAME OF PASSENGER	(4) Sex	(5) AGE OF PASSENGER					(6) Last Address in the United Kingdom	(7) Profession, Occupation or Calling of Passenger	(8) Country of Last Permanent Residence *				(9) Country of Usual Residence *
				Adults (Over 16 years of age)	Children (Under 16)	Infants (Under 2)	Male	Female			Male	Female	British Possessions Other	Foreign Countries	
Bonhay		LLOY, Burt	M	1st	36				Clarges Hotel, London.					India	
Sydney		LLOYD, David Horace	M	1st	34				Brooklyn Lodge, W.13.	Farmer				Australia	
"		LLOYD, Elizabeth Maria	F	26975	24					Housewife				"	
"		LLOYD, Timothy David	M		5									"	
"		LLOYD, Elizabeth Anne	F		4									"	

1952 Death of Nellie Symington (Lloyd) Paddon:

Name of Deceased (Surname first)	Address, description and date of death of Deceased	Names, addresses and descriptions of Persons to whom notices of claims are to be given and names, in parentheses, of Personal Representatives	Date on or before which notices of claim to be given
PADDON, Nellie Symington.	Clifton, Coombe Vale, Teignmouth, Devon. Widow. 26th August, 1951.	Tozers, 2-4, Orchard Gardens, Teignmouth, Devon, Solicitors. (Midland Bank Executor and Trustee Company Limited.)	31st January, 1952 (061)

1953: Alfred Edmund Lloyd's Probate [brother of JAL (II)]:

**LLOYD** Alfred Edmund of Merriweather 16 Roedean-crescent Brighton died 28 November 1953 Probate London 21 April to Geoffrey Charles Calder chartered accountant George Edward Thomas Hurley company director and Richard Millett solicitor. Effects £57076 3s. 6d.

1955: Joan Margaret Lloyd daughter of Alfred Edmund Lloyd and Edith Maud Dow, and wife of Ray Edmund Richard Jewry-Harbert, published: *The importance of physiotherapy in the treatment of sick children.*

4/4/2016

**The Importance of Physiotherapy in the Treatment of Sick Children.** By J. M. JEWRY-HARBERT. (Pp. 84; illustrated. 10s. 6d.) London: Staples Press. 1955.

Physiotherapy in the treatment of sick children is a subject which is but little taught in the majority of training courses for physiotherapists, and in staffing a children's hospital it has been found that most of the new staff require some months of training in this specialized branch of physiotherapy after appointment before being able to treat the patients competently. Strenuous efforts have so far failed to persuade the Chartered Society of Physiotherapists to include a period of training at a children's hospital in their training courses, with appropriate examination questions thereon.

To make up for this lack of training of physiotherapists, Mrs. Jewry-Harbert, a former charge physiotherapist at Tadworth Court, the country branch of The Hospital for Sick Children, Great Ormond Street, has written this little handbook. It is a most valuable work for physiotherapists, particularly in the clear way the author describes the physiotherapist's approach to the sick child and in the details of the techniques, especially those of the baby exercises used at Great Ormond Street. There are one or two minor technical inaccuracies on the medical side; for example, she states (*a*) that the Denis Browne talipes splints are padded whereas it is the foot which has the pads stuck on to it, and (*b*) that the splints are applied with a flannel bandage, whereas sticking plaster is used from the beginning—but it is felt that these are relatively unimportant as regards the main purpose of the book

2010: David Man outside Hartsfield Manor the home of Hilda Mary (Walker) Lloyd. Photograph taken by Paul Tovey the great grandson of Hilda's.



4/4/2016

Brian Paddon [From Wikipedia]

Group Captain Brian Paddon DSO (born 24 August 1908), was a Royal Air Force pilot who became a Prisoner of War and successfully escaped from Colditz Castle during the Second World War.

Paddon was born in Carshalton, Surrey the son of the Reverend Charles Salmon Paddon and his wife **Nellie Symington (Lloyd) Paddon**. In the 1911 Census of Redruth in Cornwall, Paddon, aged two, is living with his parents at Lannarth Vicarage.

Paddon joined the RAF on a short service commission as a Pilot Officer (on probation) in June 1929. He obtained his Royal Aero Club Aviator's Licence #10796 on 3 September 1932.

Paddon was shot down flying Bristol Blenheim L8827 of No. 40 Squadron RAF during an attack at Saint-Valéry-en-Caux on 6 June 1940 as part of the Battle of France. He was captured and became a Prisoner of War.

After passing through the interrogation and transit camp of Dulag luft he was first sent to Oflag IX-A/H at Spangenberg before shortly afterwards leaving for Stalag Luft I at Barth, arriving there on 12 July 1940, where he became the Senior British Officer.

After several escape attempts from various camps, he was sent to Oflag IV-C at Colditz Castle arriving there on 14 May 1941 with three other officers including Airey Neave.

After several more attempts to escape, on 11 June 1942, he was sent to a Court-martial at Stalag XX-A for insulting a German officer during one of his previous escape attempts. However, he managed to escape from his cell, and with the aid of other British Prisoners of War, left the camp with a work party, slipped away and travelled to Danzig. He stowed away on a Swedish ship and successfully reached neutral Sweden on 18 June. He returned to the UK on 6 August 1942.

He was awarded the Distinguished Service Order and promoted to Group Captain. He was also awarded the Distinguished Flying Cross.

Paddon had married Sheila Mary Mansell in 1935 but she died in Malta on 23 September 1939. They had two daughters, Erica and Shane.

He married again in 1948 to Anita Williams, they had three daughters - Patricia (born 12/11/1949 in Wendover, Aylesbury, UK), Wendy (born 19/3/1951) and Bridget (born 7/11/1953) both born in Rhodesia.

Paddon retired from service on 10 November 1950. [He died in retirement in Rhodesia in 1967.](#)



4/4/2016

1899: 26<sup>th</sup> May *Northampton Mercury*. The will of William Symington: Note the reference below to Mrs. Lloyd.

**THE WILL OF MR. W. SYMINGTON.**

The will of Mr. William Symington, of Nithsdale, Little Bowden, Northamptonshire, has been proved, the value of the estate being £27,828. The testator gives one share in the steamship *William Symington* each to children: £1,000 to his lady housekeeper, Annie Mary Laidlaw; £1,000 each to his children, William Weldon Symington and Mrs. Lindsay Lloyd; £200 each to his children, Mrs. Mary Weldon Daw and Mrs. Millicent Janet Goadby; £100 to his son, John Weldon Symington; £50 to John Smith; his premises called Askew Hill, at Repton, Derby upon trust, for his daughter Helen Florence Stephenson Peach and her children; an annuity of £100 each to his children, Mrs. Daw, Mrs. Lloyd, Mrs. Peach, Mrs. Goadby, William and John; and his shares in the Market Harborough Philanthropic Society and General Dispensary to the trustees of the Market Harborough Temperance Society. The residue of his property he leaves between his children, except his son Samuel, who is no need of assistance.

1862: *The Leicester Chronicle*, 11<sup>th</sup> January (left Column). A Symington factory outing.

1892: *The Leicester Chronicle*, Sudden death of Robert Symington (William's brother) 8<sup>th</sup> October (right column)

**TREAT TO WORKPEOPLE.**—In almost all large establishments the order is now to give the workpeople a treat once a year; some in the summer time, while others do so at Christmas. The Messrs. Symington, of the Bowden Steam Mills, near Harborough, have annually, for years past, given their workpeople a treat early in the new year, and it appears to become known almost as world-wide as is their coffee, tea, &c. A large number of friends and neighbours were invited on Thursday, the 2nd inst., when the annual treat was given. Two of the town warehouses were cleared for tea, and an upper room for dancing. Each room was tastefully decorated with banners, bearing inscriptions, among which there were the following: "A happy New Year." "No song no supper." This was most beautiful, the letters being made of small pieces of white paper and cut in stars, and placed upon a scarlet ground; worked by Mrs. Samuel Symington; "Kind hearts make warm greetings;" "May the hinges of friendship never rust;" "Mirth gladdens hearts;" "Smiles are catching;" "Be happy and free;" "For Auld Lang Syne;" "Sobriety and truth;" "Peace brings plenty;" "Let mirth banish care," &c. A most excellent tea, with cake, &c., was presided over by Miss Symington, and others. There were about 150 present, and among them were observed Mr. W. Symington, Mrs. S. and the Misses Symington, Mr. J. Symington, Mr. S. Symington, Rev. J. J. Goadby (of Lenton, near Nottingham), Rev. Mr. Bullivant, Rev. F. P. Johnson, Rev. T. W. Barlow, J. Smith, Esq., T. Heygate, Esq., Mrs. Smith, Mr. Walsh (Birmingham), Mr. Lloyd (London), Mr. McLenton (Rugby), Mr. Carryer (Leicester), Messrs. Manning, Miss Andrews, Mr. J. Charters, and a very large number of others, from Bowden, Harborough, and other places. The comfort of the visitors was well cared for. After tea the dancing room was the place of attraction, where a stringed band was provided, and kept well at work, while the cheerful countenances of ladies and gentlemen shewed that their hearts were gladdened. As Mr. Symington is a staunch teetotaler the whole affair was, of course, conducted strictly upon teetotal principles. Hence there was the absence of the general and usual toasts, which are always proposed and drunk at festive gatherings; but though there was the absence of the wine cup, there was no lack of mirth, and all apparently enjoyed themselves as if there had been barrels of Sir John Barleycorn to enliven them. A more pleasant, agreeable, and happy party, has never been assembled together; the employers and employed, and visitors and friends, appeared all to thoroughly enjoy themselves. A vote of thanks was passed to the Messrs. Symington, for their abundant, kind, and liberal entertainment, and dancing, songs, and amusements were kept up with great spirit until early morning. Between many of the dances there was vocal and instrumental music, which was good as well as amusing. After all had partaken of supper, with an abundant supply of coffee, and before dancing again commenced, the Rev. T. W. Barlow expressed a hope that his seniority among the joyful group then assembled, would be his excuse for attempting to clothe in words thoughts which then were glowing in all whom he then addressed, when he had the privilege of accepting Mr. Symington's invitation. Years had passed since with many then present he had first joined that festive party, and at every party he had been led to express their thanks to the Messrs. Symington's family for the kind attention which all received. This succession of years brought before them the sons and daughters of these families growing up, marrying the good and lovely, comforts to their friends and ornaments to society. Mr. Barlow, after a few other complimentary remarks, said that he never, in any society which he was invited in early life, saw more beauty, taste, elegance, and polished manners than were now so much displayed, and concluded by a hearty expression of thanks, and best wishes for all future undertakings of the Symington families, and most cordially thanked them for the kind and liberal entertainment of that night. The Rev. Mr. Bullivant also expressed his hearty thanks for the liberal entertainment. The compliment was acknowledged by Mr. John Symington, and Mr. W. Symington, junr.

#### SUDDEN DEATH OF MR. ROBERT SYMINGTON.

We deeply regret to have to announce the death of Mr. Robert Symington, of the firm of W. H. Symington and Co., stay manufacturers, Market Harborough, which occurred in painfully sudden circumstances on Monday. Mr. Symington had been to Sharnbrook, where he rented some shooting, and left on his way to Market Harborough by the train which reaches that place shortly after one o'clock. He did not alight, however, and on the arrival of the train at Kibworth his dead body was found in a first-class carriage. The news was received with much sorrow at Market Harborough, and indeed wherever Mr. Symington was known, for he was much esteemed for his private good qualities. Formerly he was a member of the Market Harborough Local Board, and he was also connected with the Volunteers, being transport officer to the South Midland Volunteer Brigade. He was a Churchman, and in politics a Conservative.

An inquest on the body was held on Tuesday by Mr. Bouskell at the late residence of the deceased, Fairlaw, Market Harborough.—Mr. Jones, station-master at Kibworth, having spoken to the circumstances under which the body was found on the arrival of the 1.12 p.m. train from London, John Eaton, passenger guard, stated that deceased joined the train at Sharnbrook apparently in his usual health, and witness saw no more of him until the station-master at Kibworth called his attention to the body.—Mr. J. L. Douglass gave evidence as to identity, adding that deceased was 55 years of age.—Dr. Macaulay, of Kibworth, who was summoned to the railway station on the sad discovery being made, stated that death resulted from epilepsy. Deceased had for three or four years suffered from an affection of the kidneys calculated to induce epilepsy.—The jury returned a verdict in accordance with the medical testimony, and passed a resolution of condolence with the bereaved relatives.

The funeral of the late Captain Symington took place on Thursday afternoon, in the cemetery at Market Harborough. In recognition of the valuable services rendered by the deceased to the South Midland Volunteer Brigade, of which he was for several years the transport officer, the funeral was conducted with full military honours, among the officers of the Leicestershire Battalion present being Col. Mansergh, Col. Sarson, Col. Richardson, Capt. Taberner, Quarter-Master Captain Brooks, Lieutenants Welch, Harrison, Richardson, and others. In addition about 30 non-commissioned officers and men of the headquarter companies attended, and were joined at Market Harborough by the local company and representatives of the regiment from other parts of the county. The mournful procession was headed by the band of the battalion, playing the "Dead March," and was witnessed by a large number of spectators as it passed on its way to the cemetery. The customary volleys were fired over the remains on the conclusion of the funeral service, and the ceremony throughout was most impressive.

Deputations from different lodges of Freemasons and Oddfellows also attended, and representatives of the Leicestershire Yeomanry also took part in the ceremony. Among the many beautiful wreaths sent was a magnificent one of choice white flowers, in the centre of which was worked the Masonic emblem, the square and compasses, from the St. Peter's Lodge (No. 1330) of Freemasons. The hearse containing the coffin was followed by four mourning carriages, the remainder of the procession falling in in due order behind. Conspicuous in the procession was the deceased's charger, led by a manservant. At the cemetery the firing party formed up at the entrance gates until the coffin and the whole of the mourners, deputations, &c., had passed through, and then they took up their position in double ranks near the grave. The coffin, on being taken out of the hearse, was carried straight to the graveside, the pall bearers being four captains of Volunteers. The funeral service was conducted by the Rev. A. J. J. Robertson, curate of the parish church. In addition to the other deputations there were over 100 workpeople from the works, and representatives from the branches at Leicester, Desborough, Rothwell, Rugby, and Farnhouse. Among the chief mourners were Mr. E. J. Symington, Mr. J. L. Symington (brothers), Mr. Samuel C. Cox, Leicester (brother-in-law), and Mr. J. G. Cox (nephew). The police arrangements were carried out by Supt. Skillecock.

THE NEW CONVALESCENT HOME FOR

4/4/2016

1871: *The Lincoln, Rutland and Stamford Mercury*, 26<sup>th</sup> May

At the Independent chapel, Market Harborough, on the 17th inst., Samuel Daw, of Haverfordwest, to Mary Weldon third daughter of William Symington, Esq., of the Bowden Steam Mills, Market Harborough.

1871: *Nottinghamshire Guardian*, 9<sup>th</sup> June:

On the 1st inst., at Christ Church, Gravesend. W. W. Symington, engineer, Halstead, Essex, youngest son of W. Symington, Esq., Bowden Steam Mills, Market Harborough, to Susan Mary, only daughter of C. Dening, Esq., Chard, Somerset.

1872: *Jackson's Oxford Journal*, 21<sup>st</sup> September:

### BANBURY.

MARRIED.—Sept. 11, by licence, at Windmill-street Chapel, Gravesend, J. Weldon Symington, of Banbury, eldest son of W. Symington, Esq., Bowden Steam Mills, Market Harborough, to Priscilla Sophia, only daughter of the late Rev. Horatio Pearse, of Pietromaritzburg, Natal.

1904: *Northampton Mercury*, 3<sup>rd</sup> June:

INTERESTING EXPERIMENT.—Messrs. W. Symington and Co., Ltd., of Bowden Steam Mills, Market Harborough, are making an interesting experiment in growing chicory on land near their works. A small quantity of a variety suitable to the soil was grown last year to test the quality, and it proved to be excellent, fully equal to the very best grown in Belgium. This year they have sown a plot of about two acres in extent to try if it can be grown and dried at a remunerative price.

4/4/2016

1903: *Northampton Mercury*, 27<sup>th</sup> November: Death of Edward Johnson Symington. He was the son of James Symington (see chart).

**DEATH OF MR. E. J. SYMINGTON, OF  
MARKET HARBOROUGH.**

Much regret has been caused in Market Harborough by the unexpected death of Mr. Edward Johnson Symington, one of the five directors of the firm of Messrs. R. and W. H. Symington and Co. Ltd., corset manufacturers, of that town. He was taken ill on Monday week, and it was then found he was suffering from appendicitis. He underwent an operation, from which he never rallied, and passed away on Saturday. The deceased gentleman took an active part in the development of the prosperous business of his firm, and he also took a keen interest in the welfare of the district. The deep regret occasioned in the district by his death was manifested in an impressive manner at the funeral in Market Harborough, on Wednesday afternoon. The whole town wore an air of gloom. Flags were floating at half-mast on the factory and other places, and the whole of the shops in the High-street were closed during the time the procession passed. Crowds of people lined the route. A short service was held at The Elms, conducted by the Rev. H. W. Brutzer. About 500 of the employés of the firm, including about 40 from Desborough, and others from Rothwell, Rugby, and Peterborough, had assembled at the Jubilee Hall. Forming a procession, they preceded the mourning coaches to the cemetery. The principal mourners were Mr. W. H. Symington (brother), Mr. R. Howett (brother-in-law), Mr. Howett (brother-in-law), and Mr. F. G. Cox. The bearers were eight of the oldest male employés. The service at the graveside was conducted by the Rev. H. W. Brutzer, and the choir from Great Bowden Church (at which deceased had been a regular attendant) sang the hymn, "A few more years shall roll." The wreaths were a magnificent collection, numbering about 40, and included one from the Market Harborough employés, one from the Rothwell employés, also one from the employés at Desborough, one from the Rugby employés, and one from the employés at Peterborough.

1908-1909 Death and probate of brothers- Samuel Symington and William Henry Symington and

4/4/2016

**SYMINGTON** Samuel of Brooklands Little Bowden Northamptonshire died 12 May 1909 Probate **London** 9 June to Mary Symington widow. Effects £37540 8s. 7d.

**SYMINGTON** William Henry of Market Harborough Leicestershire retired stay manufacturer died 11 November 1908 at Hunstanton Norfolk Probate **Leicester** 3 January to George Wilson stay manufacturer and James Ley Douglass solicitor. Effects £83316 18s. 7d. Resworn £83131 1s. 7d.



Samuel Symington

1911 Census; John Weldon Symington became a homeopathic medical practitioner. There do not appear to be children of this marriage. John was the brother of Lindsay Weldon Symington who married JAL (I).

CENSUS OF ENGLAND AND WALES, 1911.									
NAME AND SEX		RELATIONSHIP TO HEAD OF FAMILY	AGE	SEX	PARTICULARS AS TO MARRIAGE	PROFESSION OR OCCUPATION	PLACE OF BIRTH	NATIONALITY	EDUCATION
1	John Weldon Symington	Head	72	M	Married	Homeopathic Practitioner	London	English	None
2	Bessie Weldon Symington	Wife	68	F	Married		London	English	None

1911 Census Bessie Weldon Symington in medical practice with Gertrude Ellen Austin. Bessie was the daughter of Samuel and Mary Elizabeth (Watson) Symington. She is not shown on the chart.

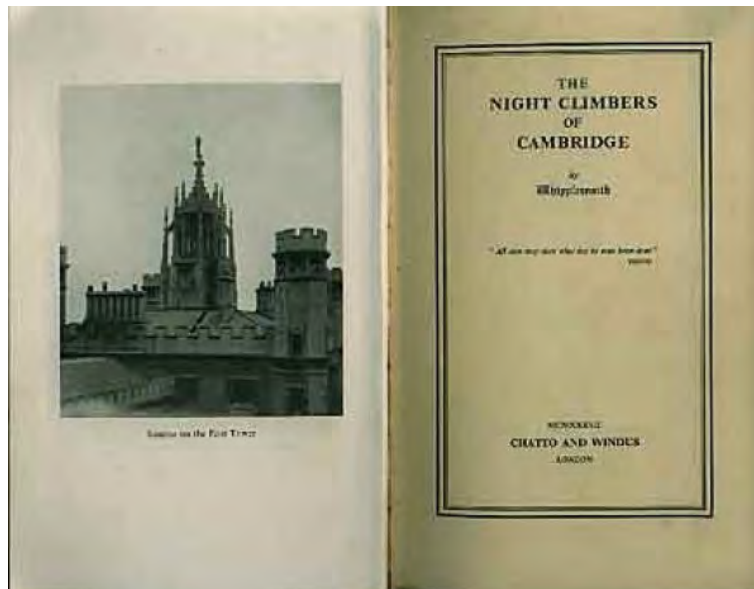
CENSUS OF ENGLAND AND WALES, 1911.									
NAME AND SEX		RELATIONSHIP TO HEAD OF FAMILY	AGE	SEX	PARTICULARS AS TO MARRIAGE	PROFESSION OR OCCUPATION	PLACE OF BIRTH	NATIONALITY	EDUCATION
1	Gertrude Ellen Austin	Head	32	F	Single	Medical Practitioner	London	English	None
2	Bessie Weldon Symington	Partner	33	F	Single	Medical Practitioner	London	English	None
3	John Weldon Symington	Partner	14	M	Single	School	London	English	None
4	Rose Marguerite Symington	Partner	29	F	Single	(Homeopathic) Clerk	London	English	None

1911 Census; Howard Watson Symington his wife Rose Marguerite and two sons Kenneth William and Samuel Philip. The eldest son Howard Watson was recorded away at a boarding school.





In 1937 a book titled *The Night Climbers of Cambridge* was published. Its author, Noel Howard Symington (see chart), used a pseudonym: Whipplesnaith. He shared a hobby with his friends - climbing the walls and towers of University of Cambridge at night. Climbing on buildings was nothing new then, but Symington, in his photos, managed to document this kind of activity for the first time. Some of these photographs are reproduced below. There are many references to Symington's high jinx on the Internet.



:



4/4/2016

1943: Howard Watson Symington death and probate. Howard was the father of Noel Howard Symington, the Cambridge climber.

**SYMINGTON** Howard Watson of The Hill Market Harborough Leicestershire died 26 December 1943 at Ruthin Denbighshire Probate **Llandudno** 18 April to Noel Howard Symington company director. Effects £71777 0s. 6d.

1954: Samuel Philip Symington death and probate.

**SYMINGTON** Samuel Philip of Great Bowden Market Harborough Leicestershire died 28 November 1954 Probate **London** 27 May to Violet Elizabeth Symington widow Kenneth William Symington company director and Richard Goodman Watson solicitor. Effects £20164 12s. 11d.

1955: Bessie Weldon Symington Probate. Bessie was the sister of Howard Watson Symington. She is not shown on the chart.:

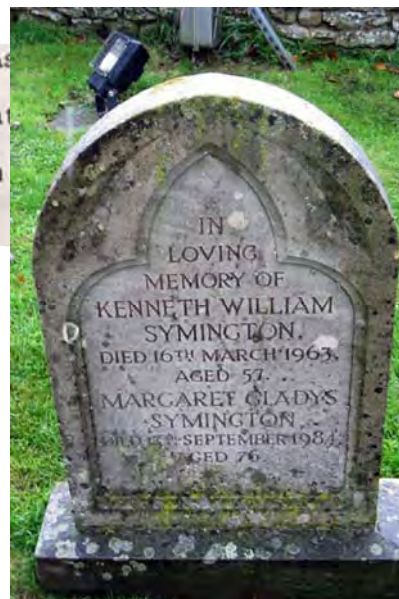
**SYMINGTON** Bessie Weldon of Maryland Durley-road Seaton Devonshire spinster died 6 April 1955 Probate **Exeter** 19 August to Henry Allen Lankester company director and Noel Howard Symington farmer. Effects £23694 3s. 4d.

1963: Death and probate of Kenneth William Symington the son of Howard Watson Symington and brother of Samuel Philip Symington

4/4/2016

SYMINGTON Kenneth William of The Old Rectory Brampton As  
Northamptonshire died 16 March 1963 at Fielding  
Johnson Private Hospital Regent Road Leicester Probab  
London 21 August to Gladys Margaret Symington widow  
Kenneth Michael Symington and Peter Howard Symington  
company directors. Effects £40783 5s. 9d.

St. Mary the Virgin Churchyard, Brampton Kettering, Northamptonshire.



## A BRIEF HISTORY OF THE SYMINGTON FOOD COMPANY

1827 - The Beginning - William Symington, a young canny Scot who was both a businessman and an inventor, moved to the Midlands in 1827 to make his fortune. He founded the original company selling Tea, Coffee, and groceries.



William forged a company with the belief that he could transform the diets of people across the country through his passion for creating excellent dried foods that are also convenient to prepare.

1852 - The Invention of Pea Flour: One of William's most notable successes was the creation of pea flour, which became a mainstay in Victorian & Edwardian kitchens across the country for providing nutritious soups and broths.

4/4/2016



**USE SYMINGTON'S  
'SALANAISE'**

**FOR MAKING MAYONNAISE**

Symington's 'SALANAISE' brings the preparation of delicious Mayonnaise, Salad Dressing, and Tartare Sauce within the means and skill of all.

One 4d. packet of 'Salanaise' emptied into a 1-pint milk, whipped smooth, then oil and vinegar added, makes as perfect a Mayonnaise as ever you tasted. The process is equally simple for making Salad-Dressing or Tartare Sauce. Try one packet of 'Salanaise'; you'll be delighted.

*Our House says—'With Symington's 'Salanaise' you have as rich and perfect a Mayonnaise as is readily made by chefs in the best hotels.'*

*The Caterer says—'As a condiment for hotel kitchens, as well as a household requisite, 'Salanaise' will certainly be appreciated.'*

If you have any difficulty in obtaining 'Salanaise' locally, we will send a 4d. packet post free on receipt of four penny stamps. Manufactured solely by  
W. SYMINGTON & CO., Ltd., Dundee Strain Mills, Market Harborough.

**SYMINGTON'S  
'SALANAISE'**



**Use 'SALANAISE' for  
Mayonnaise**

Symington's 'Salanaise' brings the preparation of delicious Mayonnaise, Salad Dressing, and Tartare Sauce within the means and skill of all.

One 4d. packet of 'Salanaise' emptied into a 1-pint milk, whipped smooth, then oil and vinegar added, makes as perfect a Mayonnaise as ever you tasted. The process is equally simple for making Salad-Dressing or Tartare Sauce. Try one packet of 'Salanaise'; you'll be delighted.

**SYMINGTON'S  
'SALANAISE'**

*Our House says—'With Symington's 'Salanaise' you have as rich and perfect a Mayonnaise as made by chefs in the best hotels.'*

*The Caterer says—'As a condiment for hotel kitchens, as well as a household requisite, 'Salanaise' will certainly be appreciated.'*

If you have any difficulty in obtaining 'Salanaise' locally, we will send a 4d. packet, post free on receipt of four penny stamps. Manufactured solely by  
W. SYMINGTON & CO., Ltd., Dundee Strain Mills, Market Harborough.

From the remarkable invention of pea flour enabled soup to be made in just one minute by simply adding boiled water.



*Picture Post, May 21, 1941*

**THE SWEET TO FOLLOW THE MEAT**

**REQUIRES  
NO  
SUGAR**

Symington's Table Creams—easy to make and economical. In eight delicious flavours, strawberry, raspberry, orange, lemon, banana, coffee, vanilla, chocolate. Still at pre-war price—buy some to-day.

**SYMINGTON'S  
Table Creams**

4<sup>10</sup>/<sub>2</sub> per packet

W. Symington & Co., Ltd., Market Harborough  
Makers of the famous Soup and Pea Flour



1854 to 1856 - Symington's pea flour was particularly popular with the military and it became a main part of the diet of British troops fighting in freezing conditions in the Crimean War.

1898 - Company founder, William Symington dies and is succeeded by his son Samuel, who focuses on growth through Pea Flour & Coffee Mark  
1901 - First to Market with Healthy Products.

Picture Post, February 20, 1943

**Welsh Rarebit**  
*with a difference!*



**WELSH RAREBIT**  
(for a person)

Blend 1 teaspoonful Vita-Gravy and a mustardspoonful dry mustard into a breakfast-cupful medium white sauce. Add 2-3 oz grated cheese and stir to mix well in. Place the mixture on slices of toast, slip under the grill to brown and serve at once.

**SYMINGTON'S**  
**Vita-Gravy**

★PRICES ARE STILL PRE-WAR—  
3d and 6d packets, and large family tins, 1s.

MADE BY W. SYMINGTON & CO., LTD., MARKET HARBOROUGH  
Makers of the famous Symington's Range.

**THE SWEET TO FOLLOW THE MEAT**



**REQUIRES NO SUGAR**

Wholesome, delicious, Symington's Table Creams are in eight flavours—strawberry, chocolate, banana, lemon, orange, raspberry, vanilla and coffee. Buy some today—still at pre-war price.

**SYMINGTON'S**  
*Table Creams*

4 1/2 oz packet

W. SYMINGTON & CO., LTD., MARKET HARBOROUGH  
Makers of the famous Gravy and Table Creams.

Symingtons were among the first manufacturers to promote the benefits of a healthy diet with their Egyptian food range (prepared with lentils from Egypt), which won high praise from the medical journal *The Lancet* in 1901 (below).

**EGYPTIAN FOOD.**  
(W. SYMINGTON AND CO., BOWDEN STEAM MILLS, MARKET HARBOROUGH.)

As is well known, the lentil is remarkably rich in proteids, more so than the pea or the bean, and further it is decidedly more digestible. The preparation before us is made from the best Egyptian lentils which are superior dietetically to any others. The food is well prepared and consists of a perfectly uniform flour. It possesses the characteristic flavour of the freshly-ground lentil, a flavour which, like that of coffee, may easily be sacrificed during the process of manufacture or preparation. The nourishing qualities of this food are unquestionable and we are glad to note that the manufacturers describe exactly what the food is upon the label of the tin, and this description according to the results of our examination is accurate.

**SYMINGTON'S PEA FLOUR**

HIGH PRESSURE STEAM PREPARED.

FOR THICKENING SOUPS, GRAVIES Etc., Etc. EASILY DIGESTED.

Sold in Packets and Tins by Grocers throughout the World.

**SYMINGTON'S EGYPTIAN FOOD,**

Used extensively at Smedley's Hydropathic Establishment, Matlock Bath, and many others. EASILY DIGESTED. Contains as much nutriment as Meat.

Manufacturers—W. SYMINGTON & CO., Bowden Steam Mills, Market Harborough.  
Export Agents: C. & E. MORTON, London.

1904 - Scott of the Antarctic Britain's great explorers also recognised the benefits of Symington's foods and in 1901 the company supplied pea flour to Scott's Discovery Antarctic Expedition.

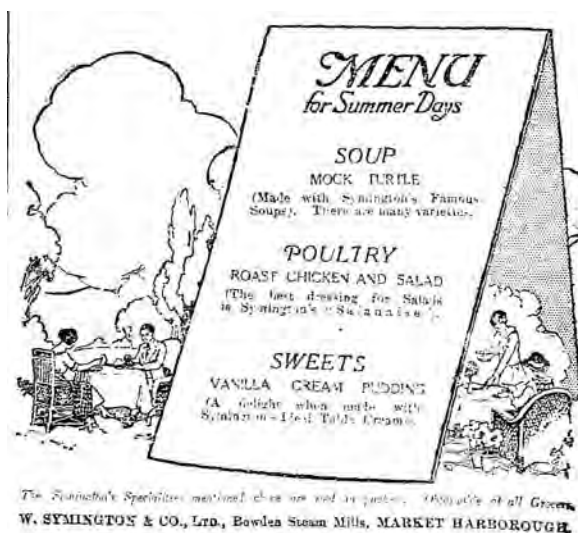
4/4/2016

Describing in his diary 'A lot can be done with the addition of a little boiled pea meal'

Fifty years later, when one of Scott's food stores was discovered, the supplies of pea flour were still in perfect condition!

Symington's Emerges as Innovators of Dried Foods:

Symington's became the 'Cook's friend in the cupboard', by developing a range of Soups (8 varieties), Granulated Gravy Improver, Custard Powder, Blancmange Powder, Table Jellies, Lemonade crystals and Table Creams. Some of these products are still manufactured by Symington's today.



1909 - First Major Consumer Promotion: Carrying on the success of his father (Samuel), Howard Watson Symington leads the company with its first major coupon based consumer promotion using Dame Ellen Terry in all advertisement material.

1936 - Symington's has its first front page advert in the *Daily Mail* as advertises in many magazines, papers, London buses, and the Underground.

<p>Always True to Flavour <b>SYMINGTON'S</b> SOUPS</p> <p><small>Prepared in a few minutes W. Symington &amp; Co., Ltd. Market Harborough</small></p>	<p><b>Daily Mail</b></p> <p><small>THURSDAY, JANUARY 29, 1922.</small></p>	<p><b>CURES INFLUENZA</b></p> <p><small>A Doctor writes, 27th March, 1918:- "I have not lost a single patient who has taken since using 'YADIL' Antiseptic." <b>'YADIL' ANTISEPTIC</b> At all chemists from 6/-</small></p>
<p><b>LYING-IN-STATE OF POPE BENEDICT XV.: SPECIAL "DAILY MAIL" PHOTOGRAPHS.</b></p>		
<p><b>DEAR CLOTHES— CHEAP CLOTHES—</b></p>		

Symington's soups become a major brand with the company having recipe books, its own radio show and competitions that used major personalities including Gracie Fields.

*See the welcome this sweet gets*

You'll find a Symington's Table Cream the most popular sweet you ever served to the family. It's so deliciously creamy, so temptingly flavoured. No trouble to make either — just add boiling milk, pour into a mould and leave to set.

**SYMINGTON'S TABLE CREAMS**  
EIGHT DELICIOUS FLAVOURS

4 1/2 LB PER PACKET

W. SYMINGTON & CO. LTD., Market Harborough (Makers of the famous Symington's Soups)

The company also commissioned Mabel Lucie Attwell, the children's book illustrator (Alice in Wonderland) with the creation of 'Susie' a little girl who starred in the company's posters and adverts. Below left from *The Daily Mail* 1929 and right *The Guardian* May 1959:

**"Did you say Soup?"**

When it comes to soup, Symington's wins all the laurels. Choice meat and vegetables perfectly prepared and concentrated make Symington's Soups rich and appetising. No trouble to prepare and very economical. No wonder good housewives like Symington's.

**Symington's Soups**

Sold in 14 Varieties in 2d. and 6d. packets by all good grocers. Try Symington's new CHESTNUT SOUP — it's delicious. Also the new Clear Soup in 9d. bottles.

W. SYMINGTON & CO. LTD. MARKET HARBOURGH, LEICESTERSHIRE

**SYMINGTON'S SOUPS**

**Food and Warmth for less than 1/- a head**

You can pat yourself on the back that you discovered Symington's Soups. Good satisfying soup takes the edge off hearty appetites. Proves such a saving on the joint — and on your gas! For in fifteen minutes at the most — Symington's Soups are ready to serve.

**15 VARIETIES**

- Chicken
- Consommé
- Hearty
- Minestrone
- Old-Fashioned
- Pea Soup
- Porter
- Tomato
- Vegetable
- Worcestershire
- Clear
- Consommé
- Hearty
- Minestrone
- Old-Fashioned
- Pea Soup
- Porter
- Tomato
- Vegetable
- Worcestershire

**6 PLATES OF DELICIOUS SOUP FOR 5/-**

## Fungus "properly described as mushroom"

### Case against food firms dismissed

Summonses alleging that mushroom soup was supplied for sale which in fact contained no mushrooms were dismissed at Chichester Magistrates' Court yesterday.

Four firms each faced two summonses under the Food and Drugs Act. They were Bachelors Foods, Ltd., of Wadsey Bridge, Sheffield; the Nestlé Co., Ltd., of Wood Street, London; Anglo Swiss Food Products, Ltd., of Queen Square, Holborn, London; and W. Symington and Co., of Springfield Street, Market Harborough.

By agreement between prosecuting and defence counsel, it was decided to deal only with the summonses against Anglo Swiss Food, who pleaded not guilty. The summonses against the company alleged that it supplied pre-packed food for sale which was not marked with a true statement specifying the actual name of the food, and supplied for sale the food which was labelled falsely as mushroom soup.

Both summonses were dismissed and the company was allowed 100g. costs. The summonses against the other companies were adjourned sine die.

The chairman, Mr. Thomas Marshall, said: "We find that *Boletus edulis* is properly described as mushroom."

#### Spores of a fungus

Mr. Anthony Harnsworth, prosecuting for West Sussex County Council, said they were setting out to prove that the company labelled the packet and so falsely described the food. The company were agents for the Swiss manufacturers and the label of the soup in question—"Knorr mushroom soup"—said that the packet contained ingredients including dehydrated mushrooms. The contents were submitted to examination and it was found in fact that what was stated to be dehydrated mushroom was dehydrated spores of fungus called *Boletus edulis*.

This fungus was different in character from the mushroom and it could not be properly described as mushroom either in a botanical or a chemical sense. There was no suggestion that it was not of good edible quality and palatable and its flavour closely resembled that of a mushroom.

"Even if the defendants could say that botanically speaking mushroom is the generic term for all edible fungi that would not avail them in my submission, by way of defence," Mr. Harnsworth said. "One must contemplate the ordinary housewife going into a shop and buying a packet such as this—whether she would appreciate whether she was buying this *Boletus* fungus as opposed to what she would almost certainly suppose to be field or cultivated mushroom. Probably the ordinary housewife has never heard of *Boletus* and certainly never dealt with it in her kitchen. The public is entitled to know what it is buying and know what it is eating, and that section of the public which consists of mushroom growers is also entitled to protection."

Mr. F. H. Lawton, Q.C., cross-examined one of the first prosecution witnesses, Dr. W. G. Dennis, principal scientific officer at the Ministry of Agriculture and senior mycologist at the Royal Botanical Gardens, Kew, about the derivation of the *Boletus* fungus. Mr. Lawton then produced a Latin dictionary and reading from it he said: "*Boletus* means this: 'The best kind of mushroom' and to support that it quotes Pliny, Pinus and Juvenal, and just to give a word of warning, Emperor Claudius is said to have been poisoned by them."

He asked Dr. Dennis: What it means in fact in its fundamental Latin meaning is edible mushroom?—I don't agree.

Dr. John Hamblott, formerly Keeper of Botany at the British Museum, said that he had known for years, having eaten the dried soups, that *Boletus* was used, not mushroom. "I recognise the flavour," he added.

The first defence witness, Mr. Kenneth William Symington, managing director of W. Symington and Co., said that his firm had marketed powdered mushroom soup from 1934 to 1943 and again from 1952 onwards.

Mr. Lawton: What did you use for that part of the soup which you felt entitled you to call it mushroom?—*Boletus edulis*.

The soup had from time to time been sampled by various authorities in Britain, and apart from West Sussex County Council no other local authority had drawn attention to the fact that *Boletus edulis* and not mushroom was being used.

Mr. Leonard Denby, of Bromley, Kent, director of a company dealing with imports for the food trade, said that *Boletus* as described for Customs purposes as the dehydrated mushroom. "That has never been challenged by the Board of Trade, and they have always granted import licences," he said. "In the last two years we have submitted samples of the dehydrated cultivated mushrooms to various food manufacturers and all have been turned down. They have no flavour. Dehydrated they are like a bit of charcoal."

### A score-book of parliamentary cricket

By our Political Correspondent

A short history of "Lords and Commons Cricket"—the team has never been called a club and Stanley Baldwin was one of those who insisted on retaining the original style—was published yesterday for private circulation to members of both Houses. The author is Wing-Commander Eric Bullus, the member for Wembley North, and the book is dedicated to Sir Rowland Blades, the first Lord Ebbisham who did so much for Lords and Commons Cricket between the wars. The printing and cost of publication has been undertaken by Sir Rowland's son, the present Lord Ebbisham, who has also looked up old records for use in the history.

The book may be taken as the first best in the present season of Lords and Commons cricket. On Wednesday the team will have its first match of the year with St. Paul's School, Hammersmith, and on June 2 the team is to play its fiftieth match against Westminster School. At one time Lord's was the home ground of Lords and Commons cricket, and matches have been played at the Oval, but now Hurlingham is the home ground.

Stanley Baldwin is the authority for the statement that the Lords and Commons cricket colours were among the oldest registered. Wing-Commander Bullus states that the Parliamentary team is older than almost all the first-class county clubs, with the possible exceptions of Sussex and Northants.

The team was probably formed about the same time as I Zingari, which was founded in 1845, and the first match of which a record can be found was that between members of

## The Symington Corset Factory Timeline:

History of the Market Harborough Factory and the Symington's Company

**1827** William Symington left his family in Lanarkshire and moved to Market Harborough. He began a tea, coffee and grocery warehouse and shop. c.1830 Brothers James and Henry Symington began a small business of tailoring, hat making and woolen drapers.

4/4/2016



**1835** James married Sarah Gold, a staymaker.

**1850** James and Sarah started their stay business in a small cottage behind a shop in the High Street. They became part of the town's prosperous mercantile class.

**1855** James and Sarah's son Robert travelled to America and brought back a Singer sewing machine.

**1861** Robert and William Henry took over the corsetry business.



**1881** The Symington factory employed 1600 people and had 500 machines. Their corsets were being exported to Australia, Africa, Canada and the United States. **1884** George Katz Warren joined the business and the factory moved to Church Gate.



**1890** The business has expanded to Manchester, Rugby and Farnham **1898** The company became public in order to survive financially becoming R & WH Symington & Co. Ltd. **1901** Two new workrooms and a club room were added to the Church Gate factory.



**1905** The company imported fabric from Germany to decrease their costs in order to become more competitive. **1919** The company created a sports ground for their employees including tennis courts and a bowls club.



1920 The factory (above) had a library, a clinic and rest rooms. Below from the Financial Times 1936:

**R. AND W. H. SYMINGTON.**

R. and W. H. Symington and Co., of Market Harborough, sustains its record as a high dividend-payer with the distribution for 1935 of 15 per cent. on the Ordinary plus a 2½ per cent. bonus, both tax free. Although this is 5 per cent. less than was made in 1934, it is to be noted that the previous year's trading was abnormally good. The drop of £8,300 to £68,200 in net profit should not, therefore, disappoint market expectations. Equalisation of Federal and income tax requires £5,000, reserve for bad and doubtful debts receives £4,000, and to reserve for debts owing by subsidiary companies is placed £5,000. Each of these is a new appropriation. The carry-forward remains virtually the same at £77,900

The company has been established in the corset manufacturing business since 1898. Its progress in recent years may be gauged by the necessity for substantial capital increases in 1924 and 1928. In addition to its various factories in this country, the Board controls the "Symington" undertakings in Australia and New Zealand, for both of which there are indications of satisfactory progress. The present manufacturing arrangements in the Irish Free State are reported to be developing favourably. The financial position is good.

Classified Ad 50 -- No Title  
*The Guardian (1959-2003):* Apr 1, 1965; ProQuest Historic  
 pg. 21

### SYMINGTON'S

Require a Young Man with good education for appointment in their Catering Sales Force to cover Manchester and the surrounding district.

This old-established Company is forward-looking. If you have a full sales training and determination to succeed, you could soon find yourself in a position of responsibility.

Applicants with grocery or catering sales experience are preferred, but if you have a commercial background, which you believe is of value, and are determined to break into a sales career, training will be given.

The Company operates a superannuation scheme: a car is provided, and promotion is by merit. A good salary is paid and out-of-pocket expenses are reimbursed.

Send full details of your career in strict confidence to DEPT. 222, W. SYMINGTON AND CO. LTD., MARKET HARBOROUGH, LEICESTERSHIRE

1957 Symington's won the license to produce ready to wear foundation garments for Christian Dior.

4/4/2016

1964 - 1967

## GIRDLE GIANT SACKS THE CHAIRMAN

By CHARLES WILSON

**BRITAIN'S** biggest bra and corset firm (slogan: "We girdle the world") sacked its chief yesterday after a boardroom row.

R. and W. Symington and Co., multi-million group with five factories in this country and others in New Zealand, Australia, South Africa and Ireland, announced that its chairman and managing director, 52-year-old Mr. Edward Cox, had been "removed."

With him goes his brother Mr. Geoffrey Cox, the sales director.

Most of the famous names in foundation garments are Symington's own brand titles. A large number of Marks and Spencer's "St. Michael" corsets come from the Market Harborough, Leicestershire, factories.

In 1959 there was a boom in the foundation garment trade. The rise continued in 1960. But last year Symington's profits fell.

### Mistakes

Yesterday a board meeting was called and Mr. Edward Cox was asked to resign. He refused and a motion proposed by Mr. E. Lindsay Symington "that he and his brother be removed" was carried by three votes to two.

Mr. Lindsay Symington, grandson of the man who founded the firm in 1856, was then elected the new chairman and managing director.

Last night Mr. Edward Cox said: "I admit I have made mistakes—so does every chairman running a group of companies. But there was no justification for kicking me out."

"I am taking legal action. This has been a complete shock."

"They cannot accuse me of not working. I am in the office from 9 a.m. to 6.30 p.m. every day."

"I have never worked for any firm but Symington's. My father was managing director before me, and I have a lifetime's experience of the foundation garment industry."

## ISSUE COMMENTS

### R. & W. H. SYMINGTON

R. & W. H. Symington, which already has a London quote for its 75,000 6 per cent. Cumulative Preference £1 shares, is now seeking a quotation for its two classes of equity capital—£220,000 in Ordinary 5s shares, £267,446 in Restricted Voting Ordinary 5s shares.

#### Foundation Garments

Symington are manufacturers and wholesalers of foundation garments, underwear and swimwear, major suppliers of Marks and Spencer, and supply other chain stores and mail order firms. Profits rose from 1954 to 1957 but thereafter a decline set in, reaching a nadir in 1962 with equity earnings of (effectively) 11.6 per cent. Recovery followed in 1963, earnings rising to 38.6 per cent and the dividend, which had been held at 10 per cent. (effectively) throughout was increased to 11 per cent. The current year has started well, and

the chairman was confident about its outcome in mid-May.

The likely opening price for the shares when dealings start on the London Stock Exchange next Monday is a matter of conjecture. Unofficial dealings have been taking place around 55s to 57s 6d—this before a 100 per cent. scrip issue and subdivision from £1 to 5s denomination—but the last bargain was six months ago, before the 1963 results which showed more than double pre-tax profits and the increased payment. Leicester sources expect an opening price of around 7s 6d to 8s 6d., but that would indicate dividend and earnings yields of 6½ per cent. and 22.7 per cent. respectively—somewhat on the cautious side, even for the restricted shares which get one vote each against 10 for every Ordinary. For those who like buying assets, it is worth noting that Symington's are worth over 24s per equity share, ex-goodwill.

Brokers are Levett Betts and Co. in London and Wilshire Baldwin and Co. and Cyril Osborn and Co. in Leicester.

## NEWS SUMMARY

### Bid from Courtaulds

Courtaulds have jumped on the takeover merry-go-round again. They are putting in a share-and-loan stock bid worth some £1,750,000 for R. & W. H. Symington (Holdings), at prices about double Symington's market value. Symingtons are a Market Harborough group specializing in foundation garments and swimwear.

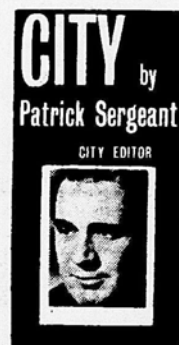
Workers Squeezed As Bra Sales Drop  
*The Hartford Courant (1923-1990), Mar 4, 1967, 1*  
pg. 5

### Workers Squeezed As Bra Sales Drop

LONDON (AP) — A firm that uses the slogan "We girdle the world" told its workers Friday to tighten their belts because the sale of bras and corsets is down.

R. and W. H. Symington told employes in its several provincial factories they would have to go on short time. The company blamed the government's credit squeeze.

DAILY MAIL, Friday, J



## Corset firm resist Courtaulds?

SIR FRANK KEARTON, chairman of Courtaulds, is surely a glutton for takeover punishment.

Having just a lost a bitter battle for Wilkinson & Riddell, he has turned to R. & W. H. Symington, the 70-year-old Leicester corsets and underwear firm.

Last night Sir Frank, after several weeks of talk with the Symington board, came out with an offer of £1,756,000.

Terms certainly seem attractive, but it looks as though the Symington men may reject it. A share swap values the Ordinary at 20s. each against a market price of around 10s. For the restricted voting shares the offer is worth 16s. against 8s. 6d.

But there is a family holding burdle for Sir Frank to clear.

1967 Courtaulds took over the factory.

4/4/2016

**1980** The offices and workrooms were sold to Harborough District Council. **1990** The factory closed. Below: The factory today.



### WILLIAM WELDON SYMINGTON

MARRIAGES.  
 SYMINGTON—DENING.—June 1, by licence, at Christ Church, Gravesend, W. W. Symington, engineer, Halstead, Essex, youngest son of W. Symington, Esq., Bowden Steam Mills, Market Harborough, to Susan Mary, only daughter of C. Dening, Esq., Obard, Somerset.

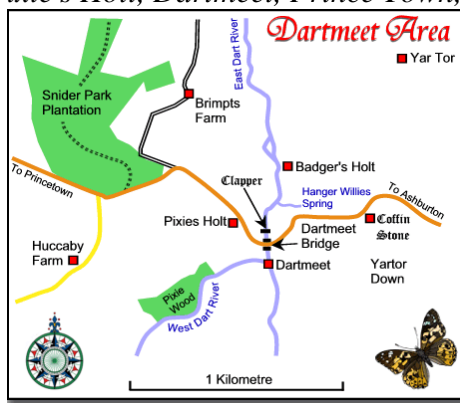
1868: William Weldon Symington applies for a patent described as: *Machinery for sizing, tarring, dyeing, drying and finishing laid and other twines, lines, yarns, threads and fibres ...*

1870: William Weldon buys Rockside estate and builds Skaigh House (below), on the edge of the village of Belstone in Dartmoor. He also built bridges over the river, laid out riverside paths and lined them with rhododendrons, and constructed four summerhouses and a 'fountain'.



4/4/2016

The Symingtons also lived at Pixie's Holt at Dartmeet which today has been turned into an outward bound visitors' center. The Natural History Museum in London has several letters written by Lindsay Dening Symington (son of William Weldon Symington ) to Arthur Goodson. The address on the letters is: *Pixie's Holt, Dartmeet, Prince Town, Devon.*



1871 *Chelmsford Chronicle* 13<sup>th</sup> January

**COLNE VALLEY IRON WORKS.**—On Wednesday evening the completion of the new engineers' and millwrights' shops for Messrs. Symington and Atterton at the Colne Valley Iron Works, was celebrated by a dinner given by the firm to their employés and the workmen engaged in the erection of the works. About 70 men sat down to a substantial hot dinner. Mr. A. W. Symington, C.E., in the chair, and Mr. John Atterton, jun., in the vice-chair. The Rev. D. Fraser (vicar of Holy Trinity), Rev. N. Brady, Rev. B. Johnson, Rev. W. H. Gough, Mr. Samuel Symington (Market Harboro'), Messrs. G. K. Arden, Borham, Cardinall, &c., were among the company present.—The health of the chairman, with success to the works, was proposed by the Rev. D. Fraser, and warmly endorsed by the workmen, and the health of the other members of the firm was afterwards given and responded to in a similar manner. Several songs and recitations were given during the proceedings, which were continued for some time after the departure of the company.

1873: Patent awarded to William Weldon Symington:

**1766. To William Weldon Symington, of the Colne Valley Iron Works, Halstead, in the county of Essex, Engineer, for the invention of "improvements in machines for making nets and netting."**

1875: Patent awarded to William Weldon Symington:

1881 Census: William Weldon Symington (36) retired Civil Engineer, Susan Mary Wife [Denning] (37), Lindsay Denning son (9), Beatrice GS daughter (6). Blanche Denning, aged 19, niece of Susan Mary Denning is visiting.

151

The undermentioned Houses are situate within the Boundaries of the

Civil Parish (or Township) of	City or Municipal Borough of	Municipal Ward of	Parliamentary Borough of	Town or Village or Hamlet of	Urban Sanitary District of	Rural Sanitary District of	Electoral District of		
				Belstone		Rehampton			
No. of Schedule	ROAD, STREET, &c. and No. or NAME of HOUSE	HOUSES Inhabited (A) or Vacant (B)	NAME and Surname of each Person	RELATION to Head of Family	CON-DITION as to Marriage	AGE last Birthday of Males Females	Rank, Profession, or OCCUPATION	WHERE BORN	If (1) Deaf and Dumb (2) Blind (3) Imbecile or Idiot (4) Lunatic
23	Rockside	1	Mr Weldon Symington	Head	Married	36	Retired Engineer	Marble Harbour, Gloucestershire	
			Susan Mary Do	Wife	Do	37		Charlton, Devon	
			Lindsay Denning Do	Son	Do	9	Scholar	Belstone, Essex	
			Beatrice GS Do	Daughter	Do	6	Do	Northampton	
			Grace Lillard	Servant	Unmarried	43	Cook	Waterbury	
			Mary Ann Jordan	Do	Do	25	Housemaid	Rehampton	
			Blanche Denning	Daughter	Do	19		Bridport, Dorset	
24		1	John Wood	Head	Married	44	Miller	Bridford	
			E.A. Wood	Wife	Do	40		Bradworthy	
			Elizabeth Halliwell	Daughter	Do	17		Northampton	
			Louisa Wood	Do	Do	16		Do	
			Sarah Mary Wood	Do	Do	14		Do	
			Minnie Jane Wood	Do	Do	11		Do	
			Charles Halliwell	Son	Do	7		Do	
			Clara Wood	Daughter	Do	2		Rehampton	
			Caroline Louisa	Do	Do	9th Mo		Do	
25		1	John Sandlott	Head	Married	54	Labourer	Sampford Courtenay	
			Elizabeth Do	Wife	Do	58		Belstone	
			Samuel Do	Son	Unmarried	26	Labourer	Sampford Courtenay	
26	Miner's House	1	James Keill	Head	Married	34	Mining Agent	Leicester	
			Elizabeth Do	Wife	Do	35		Wilton, Abbot	
			Beatrice Do	Daughter	Do	8	Scholar	Leicester	
			Mary Jane Do	Son	Do	2		Belstone	
			James Kelly	Servant	Do	44	General Servant	Do	
Total of Houses...		4	Total of Males and Females...		8	16			

Note.—Draw the pen through such of the words of the headings as are inappropriate.

Eng- Sheet A.

### LINDSAY DENING SYMINGTON – AN ILLUSTRATED BIBLIOGRAPHY AND SHORT HISTORY

Lindsay was the son of William Weldon and Susan Mary (Denning) Symington (See chart below)

1. *The Meaning of Love* by Arthur Maquari. Published by Bickers & Son, London, 1915
2. *An Alphabet of Saints* [The Daily Chronicle noted: "This alphabet is the richest mine of unforced humour in verse we have struck since the twentieth century began. Symington's illustrations are really delightful".]

4/4/2016

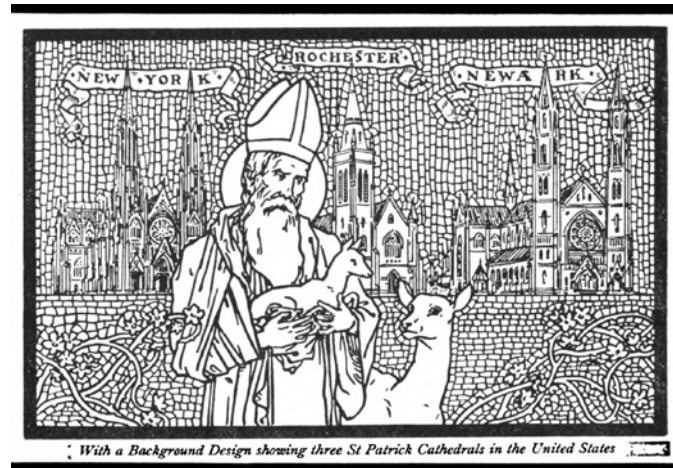
3. *The Uffizi A.B.C.*



4. *Father O'Flynn* with additional versions in Gaelic & Latin and a facsimile of the author's ms. also by the same author, Ould Doctor Mack.
5. *Het scheepje van Petrus* by E. F. Nugent, E. F. [Dutch translation]



6. *The Children's Hour of Heaven on Earth* by Vincent Joseph MacNabb.
7. *Het Uur Der Kinderen Van Den Hemel Naar De Aarde* by MacNabb, Vincent. [Dutch translation of the above]
8. *Steenhoff-Smulders, Alb.* By Francis Thompson



9. *The Inchcape Rock ...* With a note on the Abbot of Aberbrothok by Abbot Gasquet, and twenty-one drawings by Mr. Symington.
10. *As stars for ever* by Symington, Lindsay D [as author].
11. *For My name's sake* by Bascle de Lagrèze, Gaston.



12. *The Holy Child Seen by His Saints ...* by Margaret Mary Kennedy.
13. *The Rhymed Life of St Patrick* by Katharine Tynan
14. *Princess Melody ...* With seven illustrations by L. D. Symington (1909) by Florence M. Mulholland
15. *The Weeping Angel.* By Father Faber. With Illustrations by L. D. Symington.
16. *Josephine's troubles: A story of the Franco-Prussian War of 1870-1871* (1907) by Percy Fitzgerald, Percy.
17. *Two Angel Tales: "The Last Children" and "Philip, or the Pains of Children."* By Father Faber. With twelve Coloured and other Illustrations by L. D. Symington.
18. *The Bell Rock Lighthouse, ... with ... a note by Mr. Everard Meynell upon the Bell Rock Lighthouse, which has replaced it, and numerous illustrations by Mr Lindsay D. Symington. The price is one shilling net.*
19. *The Vengeance of Boabdil*



Part of a review of *The Rhymed Life of Saint Patrick*:

Mr Symington's illustrations are admirable in every way except that, as in *The Alphabet of Saints*, the type and pattern of this series of children's books, he seems unable to draw a being at once young and masculine. But his pictures are remarkable for their broad vigour and for their decorative effect. His illustrations of St Patrick's baptism and of Marmoutiers are perhaps the best, while for emotional effect he has done nothing so good as the picture of Saint Bridget beside the body of Saint Patrick, illustrating the poem just quoted.

A.B.C.

432

### Illustrated Editions of Standard Stories

*Printed on superfine paper, and bound in cloth, richly gill, gilt edges, 3s. 6d. each*

#### LOSS AND GAIN

Cardinal Newman's Famous Story of Oxford Life and a Conversion. With Nine Illustrations by L. D. Symington. 3s. 6d.

#### CALLISTA

A Tale of the Third Century. By Cardinal Newman. With Nine Illustrations by L. D. Symington. 3s. 6d.

#### FABIOLA

A Tale of the Catacombs. By Cardinal Wiseman. With Nine Illustrations by L. D. Symington. 3s. 6d.

#### POPULAR EDITIONS

*of these works (without the Illustrations) can be had in wrapper 6d. net, or limp cloth 1s. net (postage 3d.).*

From The Tablet 2<sup>nd</sup> June 1906 Illustrated editions of Cardinal Wiseman's "Fabiola" and Cardinal Newman's "Callista" and "Loss and Gain," come to us from Messrs. Burns and Oates. The drawings are by Mr. Lindsay Symington, "the man with the paints" who illustrated the "Alphabet of Saints," and they will undoubtedly help readers to realise more vividly the incidents they portray, and to form a better general idea of the garb and appearance of the characters in whom they are interested. Speaking generally the illustrations to "Callista" seem to us especially successful. In their new form these books should enter upon a fresh field of extended popularity, and will doubtless be largely sought as presents and prizes, for which they are especially suitable.



"Oh, Libba, here is the, midnight flower."



"At his touch all the feeling of rebellion against God went out of her heart."



"He pointed upwards, where a heavenly Lady, all dressed in golden light, was waiting for them."



"Instead of Philip, she saw the infant Jesus in the bed."

Among recent publications is a new edition of Mr Alfred Perceval Graves's "Father O'Flynn," with a Latin and a Gaelic version of that admirable specimen of Irish humour. The Latin of Father Alphonsus is a good specimen of that sort of composition: of Mr Thaddeus MacSweeney's Gaelic we do not pretend to form an opinion. The little book (published by Messrs Burns and Oates, and by Messrs Maunsel and Co., of Dublin) also contains another sample of Mr Graves's quality, "Ould Doctor Mack," who, with "his wig wid the curl so car-roty, Aigle eye and complexion clarety," should be no less popular than Father O'Flynn himself. Also there are 10 very artistic drawings by L. D. Symington. The price is 1s.

**BURNS & OATES' NEWEST BOOKS**

**DELIGHTFUL GIFT BOOKS FOR  
YOUNG AND OLD**  
Profusely Illustrated by L. D. Symington

**THE RHYMED LIFE OF ST PATRICK.** By Katharine Tynan. With a Foreword by Lieut-General Sir William Butler, G.C.B. Wrapper 1s. net (postage 2d.) Cloth, 2s. 6d.

**AN ALPHABET OF SAINTS.** Rhymed by Father Robert Hugh Benson, Reginald Balfour, C. Ritchie. Wrapper 1s. net (postage 2d.) Cloth, 2s. 6d.

**THE INCHCAPE ROCK.** By Robert Southey. With a note on the Abbot of Aberbrothok by Abbot Gasquet, O.S.B. 1s. net (postage 2d.) Cloth, 2s. 6d.

**TALES OF THE ANGELS.** By Father Faber. Containing "The Last Children," "Philip, or the Pains of Children," "The Weeping Angel" and "The Child to Whom Nobody was Kind." Cloth, extra gilt, 3s. 6d.

*PUBLISHED SEPARATELY*

**THE CHILD TO WHOM NOBODY WAS KIND.** By Father Faber. Boards, 1s. net (postage 2d.)

**STORIES FOR YOU & ME.** By Mother Mary Salome. Cloth, 2s. 6d.  
"These bright little tales have nothing in common with the older form of edifying stories, which were justly regarded with suspicion by young readers."—*Tablet*.

**GOOD-NIGHT STORIES.** Told to very Little Ones. By the same Author. 2s. 6d.

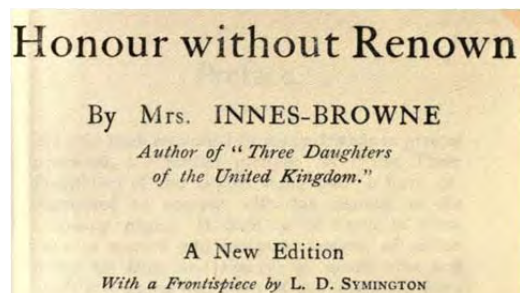
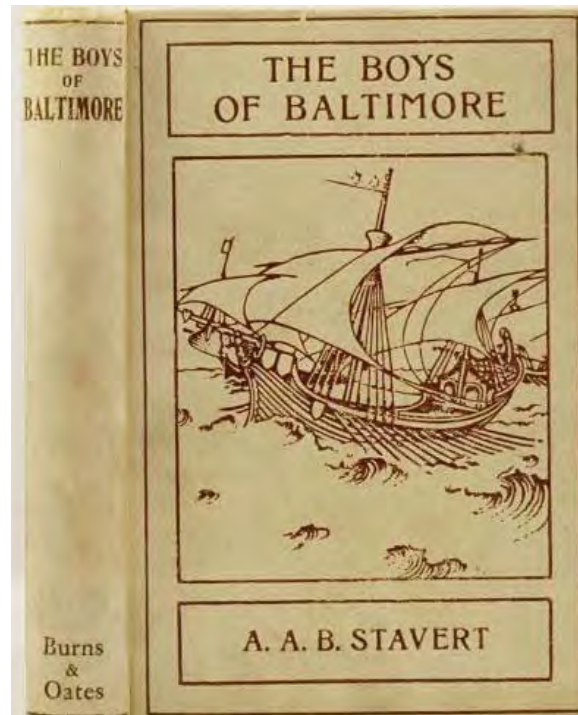
**FATHER O'FLYNN.** By Alfred Perceval Graves. With additional versions in Gaelic and Latin, and a facsimile of the author's MS. Together with *Ould Doctor Mack*. By the same author. Wrapper, 1s. net.

*For Christmas*

**PRINCESS MELODY & OTHER STORIES.** By Florence M. Mulholland. 2s. 6d. net.

**THE KINGS AND THE CATS.** Munster Fairy Tales for Young and Old. Written by John Hannon. Illustrated by Louis Wain. With a Preface by Father Matthew Russell, S.J., and a Verse for the Children by Katharine Tynan. 2s. 6d.

**28 ORCHARD STREET, LONDON, W**



Right the frontispiece of 'Honour Without Renown' by L. D. Symington. One has to wonder, given the low church Calvinist back round of the Symington's, how Lindsay wound up publishing only with Catholic owned publishers. He must have converted but what was the motivation, etc?



Below: William Weldon Symington, his wife Susan Mary (Denning), son Lindsay Denning Symington and daughter Beatrice Symington (from the Scott Tuke collection at the Tate Gallery, London).



1904 Probate of William Weldon Symington who died on 30<sup>th</sup> December at Port of Spain, Trinidad.

**SYMINGTON** William Weldon of "Pixies" Holt Dartmeet Princetown Devonshire died 30 December 1904 at Port of Spain Trinidad British West Indies Administration **London** 8 March to Lindsay Dening Symington artist Effects £1165 1s. 2d.

Below: From left to right: Lindsay Dening Symington, Everard Meynell, Henry Scott Tuke and Johnny Jackett outside Tuke's cottage at Swanpool. Photograph at the Tate Gallery, London.



Below *August Blue* by Henry Scott Tuke: Lindsay Symington is the young man in the water holding onto the boat. Symington was a good friend of Tuke's, the latter often visiting the Symington family home, Pixies' Holt, at Dartmeet, Prince Town.



Below: A rare departure from Henry Scott Tuke's main themes in his painting of figures (mostly nude and male) around the coast of Falmouth, instead Tuke had acquired 'a moth-eaten uniform', from the Napoleonic era which was the starting point for this painting. It shows Napoleon reviewing his soldiers after a victorious battle ... Tuke's sister Maria describes how Tuke induced his friend Lindsay Symington and a young man called Caulfield who was a mining

4/4/2016

student at Camborne, 'to stand in the uniform, waving what purported to be a sabre, Napoleon on his white horse imagined in the foreground.' [From Bonham's Auction House Catalog]



In 1902 and 1903 Lindsay exhibited paintings at the Royal Academy of Arts:

SYMINGTON, Lindsay D....Painter.  
*Prince Town, Devon.*  
 1902. 321 The potato garden.  
 1903. 337 Jolly Lane Cot.

*Country Life* made note of Lindsay's painting of *Jolly Lane Cot*:

*The following pictures, of which space does not permit, should not be overlooked, an easy thing among such vast fields of mediocre or positively bad work: "War" Arthur McCormick: "Jolly Lane Cott" Symington .... This list does not pretend to have exhausted all the pictures that may be worth looking at, but it includes most of those that can be discovered without the aid of a telescope. Having so far only mentioned the good things, it would be unfair to omit some notice of the bad ones ....*

Professor Hans von Bartels' "A Fisherman's Wife" (543) is a good example of one of the more virile branches of the Munich school; in colour and composition wholly satisfactory. Mr. Lindsay D. Symington's "1850" (32) is a pleasant little study of early Victorian manners. Two girls, ever so demure, sit knitting by the light of a solitary candle. It is at once apparent that they are gentlewomen, sentimental, no doubt, and probably rather bored. There was no golf for girls in those days, and the clang of the bicycle bell was not heard in the land.

*The Art Journal* of 1895 reviewed the summer exhibit at the Royal Academy and noted: "Mr. L. D. Symington's 'Flight into Egypt,' a daring work, amid such orthodox surroundings, deserves commendation for a really successful attempt at Art at once sacred and decorative."

Below a post card of 'Jolly Lane Cott', the subject of a painting that Symington entered to the Royal Academy's Summer Exhibition in 1903.



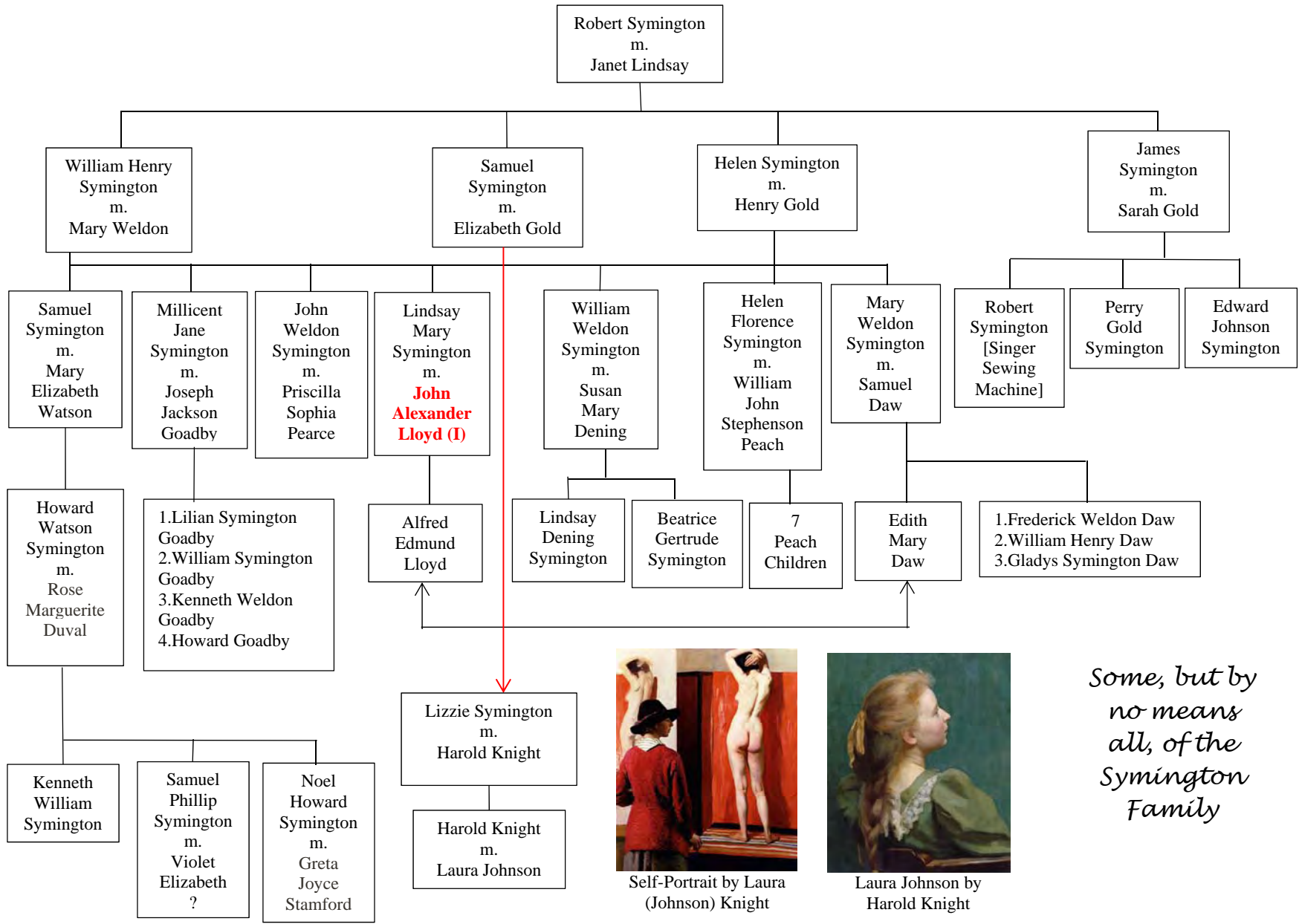
1916: Lindsay Dening Symington's medal card - Temporary Lieutenant to Captain Royal Engineers, Campaign Medal:

Name		Corps	Rank	Regt. No.
SYMINGTON		R.E.	T/LIEN	
LINDSAY DENING			CAPT	
Medal	Date	Page	Remarks	
VICTORY	* 1914	95	1914/15/16/17/18/19/20/21 (2nd/9/10019)	
ESSEX				
SPAN				
Theatre of War first served in		(1)		
Date of entry therein		18.1.16		
NW/8/10019 R. 1980				

1942: Lindsay Dening Symington's Probate record:

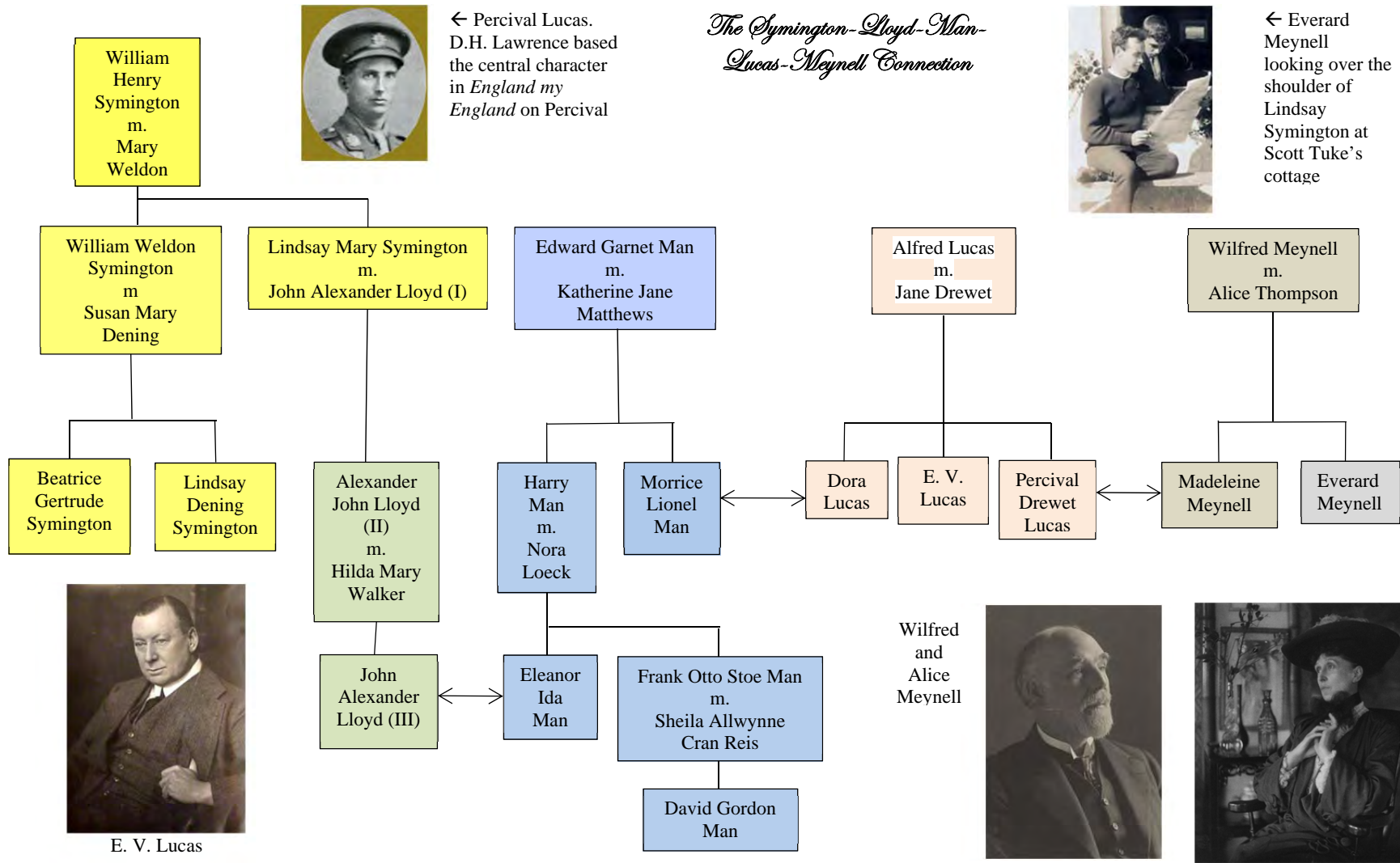
**SYMINGTON** Lindsay Dening of Pixies Holt Shutta Looe Cornwall died 8 March 1942 Administration Llandudno 5 June to Beatrice Gertrude Susie Symington spinster. Effects £953 14s. 10d.

4/4/2016



4/4/2016

*The Symington-Lloyd-Man-Lucas-Meynell Connection*



4/4/2016

## THE WALKER FAMILY

[Benjamin WALKER](#) was born in about 1806 at Stretton, Burton on Trent, Staffordshire.

We do not know who Benjamin Walker's parents were but strong candidates would be William and Ann Walker who had several children born at Burton-upon-Trent, Staffordshire in the early nineteenth century. If so, a record of a Benjamin Walker baptised on 22<sup>nd</sup> November 1804 at Burton-upon-Trent, father *William* and mother *Ann*, could be who we are looking for.

Benjamin's siblings are: Michael (1792); Ann (1796); Hannah (1800); *Thomas* (1807); William (1794); Mary (1798); and Elizabeth (1802) [[C16621-2.1](#)].

Benjamin married on 8<sup>th</sup> November 1831 at Derbyshire, Emma Heap. Emma was born on 24<sup>th</sup> May 1813, at Melbourne, Derbyshire. Emma's parents were John Heap and [Mary Tivey](#) (b. 1779). John and Mary (Tivey) Heap were married in 1802 at Melbourne, Derbyshire. Mary was the eldest daughter Edward Tivey and Mary Fairbrother.

Benjamin Walker died on 11<sup>th</sup> August 1895 at Nottingham, Nottinghamshire (aged 82 years). Benjamin and Emma (Heap) Walker had six children. We are not sure exactly what happened to the company he founded but his nephew John Benjamin Walker went into the same line of business and seems to have eclipsed whatever Benjamin's children achieved in manufacturing.

John Benjamin Walker's father, the above Benjamin's brother, was Thomas Walker who appears on the 1851 census aged 45 living at Stretton, and born there, a widower, and a farmer with 25 acres; a daughter Mary Ann aged 15; sons Thomas Henry aged 12; **John Benjamin** aged 9; and *William* aged 6; and daughter Elizabeth aged 4.

Parish or Township of		Ecclesiastical District of		City or Borough of		Town of		Village of		Whether Blind, or Deaf, or Lame
Stretton		Stretton		Stretton		Stretton		Stretton		
No.	Name of Street, Place, or Road, and Name or No. of House	Name and Surname of each Person who abode in the house, on the Night of the 30th March, 1851	Relation to Head of Family	Condition	Age of		Rank, Profession, or Occupation	Where Born		
					Male	Female				
57		Frederick Wiles	Head	Mar	27		Ag. Labr	Stafford	Stafford	
		Hannah do	Wife	Mar	31			do	do	
		Ann do	Daughter		4		Scholar	do	do	
		Agnes do	Daughter		3		do	do	do	
		Samuel do	Son		2		do	do	do	
58		Thomas Wiles	Head	Mar	42		Farmer 25 acres	do	do	
		Mary Ann do	Daughter		15		Employed in Dressing	do	do	
		Thomas Henry do	Son		12		Scholar	do	do	
		John Benjamin do	Son		9		do	do	do	
		William do	Son		6		do	do	do	
		Elizabeth do	Daughter		4		do	do	do	
59		Charles Budock	Head	Mar	39		Sailor	do	do	
		Ann do	Wife	Mar	39			do	Crayke	
		William do	Son		12		Scholar	do	Stretton	
		Lucretia do	Daughter		9		do	do	do	
		Henry do	Son		4		Scholar	do	do	
		Joseph do	Son		2		do	do	do	

4/4/2016

John Benjamin Walker has been found on the 1861 census residing at 65 Spring Close, Lenton in Nottinghamshire. He is a boarder, aged 18, a lace manufacturer, born at Stretton in Staffordshire. His brother William is also in the same residence, which is headed by a housekeeper named Hannah Higgott.

The undermentioned Houses are situate within the Boundaries of the

Page 14		Municipal Borough of		Parliamentary Borough of		Town of		Manor or Tything, &c., of		Ecclesiastical District of	
Lenton											
No. of Inhabit.	Road, Street, &c., and No. or Name of House	HOUSES	Name and Surname of each Person	Relation to Head of Family	Condition	Age of	Rank, Profession, or Occupation	Where Born		Whether Blind, or Deaf and Dumb	
	Spring Close		Elizabeth Minnett	Wife	W	51	Cotton Winder	Nottingham	Nottingham		
			Thomas	Son	W	16	Lace Maker	Do	Do		
			George	Son	W	16	Do	Do	Do		
			Charles	Son	W	16	Shoemaker	Do	Do		
			Rebecca	Daughter	W	13	Lace Winder	Do	Lenton		
			William	Son	W	16	Schooler	Do	Do		
			Joseph	Son	W	14	Do	Do	Do		
			William	Son	W	14	Do	Do	Do		
65	Do	1	Ann Higgott	Head	W	57	Housekeeper	Staffordshire	Stafford		
			John Higgott	Wife	W	55	Lace Manufacturer	Do	Do		
			William	Son	W	16	Do	Do	Do		
			John Higgott	Son	W	16	Do	Do	Do		
66	Do	1	John Higgott	Head	W	55	Lace Manufacturer	Do	Do		
			Violetta	Wife	W	23	Do	Do	Do		
			Harry	Son	W	9	Do	Do	Do		
			Violetta	Daughter	W	9	Do	Do	Do		
			Anna Higgott	Daughter	W	17	Housekeeper	Nottingham	Nottingham		
67	Do	1	John Higgott	Head	W	55	Lace Manufacturer	Do	Do		
			George	Son	W	19	Do	Do	Do		
			Harriet	Wife	W	49	Do	Do	Do		
			Charles	Son	W	16	Do	Do	Do		
			George	Son	W	16	Lace Maker	Do	Do		
			Eliza	Son	W	16	Do	Do	Lenton		
			Samuel	Son	W	16	Lace Maker	Do	Do		
			Emma	Son	W	19	Do	Do	Do		
3	Total of Houses...	3	Total of Males and Females... 1313								

Eng. - Sheet 1A

1861 Census: The above John Benjamin Walker's uncle, Benjamin Walker, has been found on the 1861 census aged 55 also born at Stretton in Staffordshire, Lace Manufacturer employing 110 men, 22 boys, and 48 women and with wife Emma [Heap] aged 46 born at Melbourne, Derbyshire; daughter Jane aged 19; and son Benjamin aged 18; daughter Annie and son William aged 10 all born at Nottingham.

Page 16 The undermentioned Houses are situate within the Boundaries of the

Parish (or Township) of		City or Municipal Borough of		Municipal Ward of		Parliamentary Borough of		Town of		Hamlet or Tything, &c. of		Ecclesiastical District of	
No. of Schedule		ROAD, STREET, &c., and No. or Name of HOUSE		HOUSES No. of Cottages (if any) and (if any) of other buildings		NAME and Surname of each Person		RELATION to Head of Family		CON-DITION		AGE of	
												Rank, Profession, or OCCUPATION	
												WHERE BORN	
13	1	13	1	1	1	Robert	Head	Mar	45	45	45	Butcher and Saw Mill	Staffordshire
14	1	14	1	1	1	William	Head	Mar	38	38	38	Engine Smith Letter	Nottingham
15	1	15	1	1	1	Abel	Head	Mar	37	37	37	Labourer in the Saw Mill	Nottingham
16	1	16	1	1	1	Mary Ann	Wife	Mar	37	37	37	Do	Nottingham
17	1	17	1	1	1	William	Head	Mar	37	37	37	Labourer in the Saw Mill	Nottingham
18	1	18	1	1	1	Mary Ann	Wife	Mar	37	37	37	Do	Nottingham
19	1	19	1	1	1	John	Head	Mar	37	37	37	Labourer in the Saw Mill	Nottingham
20	1	20	1	1	1	Mary Ann	Wife	Mar	37	37	37	Do	Nottingham
21	1	21	1	1	1	William	Head	Mar	37	37	37	Labourer in the Saw Mill	Nottingham
22	1	22	1	1	1	Mary Ann	Wife	Mar	37	37	37	Do	Nottingham
23	1	23	1	1	1	John	Head	Mar	37	37	37	Labourer in the Saw Mill	Nottingham
24	1	24	1	1	1	Mary Ann	Wife	Mar	37	37	37	Do	Nottingham
25	1	25	1	1	1	William	Head	Mar	37	37	37	Labourer in the Saw Mill	Nottingham
26	1	26	1	1	1	Mary Ann	Wife	Mar	37	37	37	Do	Nottingham
27	1	27	1	1	1	John	Head	Mar	37	37	37	Labourer in the Saw Mill	Nottingham
28	1	28	1	1	1	Mary Ann	Wife	Mar	37	37	37	Do	Nottingham
29	1	29	1	1	1	William	Head	Mar	37	37	37	Labourer in the Saw Mill	Nottingham
30	1	30	1	1	1	Mary Ann	Wife	Mar	37	37	37	Do	Nottingham
31	1	31	1	1	1	John	Head	Mar	37	37	37	Labourer in the Saw Mill	Nottingham
32	1	32	1	1	1	Mary Ann	Wife	Mar	37	37	37	Do	Nottingham
33	1	33	1	1	1	William	Head	Mar	37	37	37	Labourer in the Saw Mill	Nottingham
34	1	34	1	1	1	Mary Ann	Wife	Mar	37	37	37	Do	Nottingham
35	1	35	1	1	1	John	Head	Mar	37	37	37	Labourer in the Saw Mill	Nottingham
36	1	36	1	1	1	Mary Ann	Wife	Mar	37	37	37	Do	Nottingham
37	1	37	1	1	1	William	Head	Mar	37	37	37	Labourer in the Saw Mill	Nottingham
38	1	38	1	1	1	Mary Ann	Wife	Mar	37	37	37	Do	Nottingham
39	1	39	1	1	1	John	Head	Mar	37	37	37	Labourer in the Saw Mill	Nottingham
40	1	40	1	1	1	Mary Ann	Wife	Mar	37	37	37	Do	Nottingham
41	1	41	1	1	1	William	Head	Mar	37	37	37	Labourer in the Saw Mill	Nottingham
42	1	42	1	1	1	Mary Ann	Wife	Mar	37	37	37	Do	Nottingham
43	1	43	1	1	1	John	Head	Mar	37	37	37	Labourer in the Saw Mill	Nottingham
44	1	44	1	1	1	Mary Ann	Wife	Mar	37	37	37	Do	Nottingham
45	1	45	1	1	1	William	Head	Mar	37	37	37	Labourer in the Saw Mill	Nottingham
46	1	46	1	1	1	Mary Ann	Wife	Mar	37	37	37	Do	Nottingham
47	1	47	1	1	1	John	Head	Mar	37	37	37	Labourer in the Saw Mill	Nottingham
48	1	48	1	1	1	Mary Ann	Wife	Mar	37	37	37	Do	Nottingham
49	1	49	1	1	1	William	Head	Mar	37	37	37	Labourer in the Saw Mill	Nottingham
50	1	50	1	1	1	Mary Ann	Wife	Mar	37	37	37	Do	Nottingham
51	1	51	1	1	1	John	Head	Mar	37	37	37	Labourer in the Saw Mill	Nottingham
52	1	52	1	1	1	Mary Ann	Wife	Mar	37	37	37	Do	Nottingham
53	1	53	1	1	1	William	Head	Mar	37	37	37	Labourer in the Saw Mill	Nottingham
54	1	54	1	1	1	Mary Ann	Wife	Mar	37	37	37	Do	Nottingham
55	1	55	1	1	1	John	Head	Mar	37	37	37	Labourer in the Saw Mill	Nottingham
56	1	56	1	1	1	Mary Ann	Wife	Mar	37	37	37	Do	Nottingham
57	1	57	1	1	1	William	Head	Mar	37	37	37	Labourer in the Saw Mill	Nottingham
58	1	58	1	1	1	Mary Ann	Wife	Mar	37	37	37	Do	Nottingham
59	1	59	1	1	1	John	Head	Mar	37	37	37	Labourer in the Saw Mill	Nottingham
60	1	60	1	1	1	Mary Ann	Wife	Mar	37	37	37	Do	Nottingham
61	1	61	1	1	1	William	Head	Mar	37	37	37	Labourer in the Saw Mill	Nottingham
62	1	62	1	1	1	Mary Ann	Wife	Mar	37	37	37	Do	Nottingham
63	1	63	1	1	1	John	Head	Mar	37	37	37	Labourer in the Saw Mill	Nottingham
64	1	64	1	1	1	Mary Ann	Wife	Mar	37	37	37	Do	Nottingham
65	1	65	1	1	1	William	Head	Mar	37	37	37	Labourer in the Saw Mill	Nottingham
66	1	66	1	1	1	Mary Ann	Wife	Mar	37	37	37	Do	Nottingham
67	1	67	1	1	1	John	Head	Mar	37	37	37	Labourer in the Saw Mill	Nottingham
68	1	68	1	1	1	Mary Ann	Wife	Mar	37	37	37	Do	Nottingham
69	1	69	1	1	1	William	Head	Mar	37	37	37	Labourer in the Saw Mill	Nottingham
70	1	70	1	1	1	Mary Ann	Wife	Mar	37	37	37	Do	Nottingham
71	1	71	1	1	1	John	Head	Mar	37	37	37	Labourer in the Saw Mill	Nottingham
72	1	72	1	1	1	Mary Ann	Wife	Mar	37	37	37	Do	Nottingham
73	1	73	1	1	1	William	Head	Mar	37	37	37	Labourer in the Saw Mill	Nottingham
74	1	74	1	1	1	Mary Ann	Wife	Mar	37	37	37	Do	Nottingham
75	1	75	1	1	1	John	Head	Mar	37	37	37	Labourer in the Saw Mill	Nottingham
76	1	76	1	1	1	Mary Ann	Wife	Mar	37	37	37	Do	Nottingham
77	1	77	1	1	1	William	Head	Mar	37	37	37	Labourer in the Saw Mill	Nottingham
78	1	78	1	1	1	Mary Ann	Wife	Mar	37	37	37	Do	Nottingham
79	1	79	1	1	1	John	Head	Mar	37	37	37	Labourer in the Saw Mill	Nottingham
80	1	80	1	1	1	Mary Ann	Wife	Mar	37	37	37	Do	Nottingham
81	1	81	1	1	1	William	Head	Mar	37	37	37	Labourer in the Saw Mill	Nottingham
82	1	82	1	1	1	Mary Ann	Wife	Mar	37	37	37	Do	Nottingham
83	1	83	1	1	1	John	Head	Mar	37	37	37	Labourer in the Saw Mill	Nottingham
84	1	84	1	1	1	Mary Ann	Wife	Mar	37	37	37	Do	Nottingham
85	1	85	1	1	1	William	Head	Mar	37	37	37	Labourer in the Saw Mill	Nottingham
86	1	86	1	1	1	Mary Ann	Wife	Mar	37	37	37	Do	Nottingham
87	1	87	1	1	1	John	Head	Mar	37	37	37	Labourer in the Saw Mill	Nottingham
88	1	88	1	1	1	Mary Ann	Wife	Mar	37	37	37	Do	Nottingham
89	1	89	1	1	1	William	Head	Mar	37	37	37	Labourer in the Saw Mill	Nottingham
90	1	90	1	1	1	Mary Ann	Wife	Mar	37	37	37	Do	Nottingham
91	1	91	1	1	1	John	Head	Mar	37	37	37	Labourer in the Saw Mill	Nottingham
92	1	92	1	1	1	Mary Ann	Wife	Mar	37	37	37	Do	Nottingham
93	1	93	1	1	1	William	Head	Mar	37	37	37	Labourer in the Saw Mill	Nottingham
94	1	94	1	1	1	Mary Ann	Wife	Mar	37	37	37	Do	Nottingham
95	1	95	1	1	1	John	Head	Mar	37	37	37	Labourer in the Saw Mill	Nottingham
96	1	96	1	1	1	Mary Ann	Wife	Mar	37	37	37	Do	Nottingham
97	1	97	1	1	1	William	Head	Mar	37	37	37	Labourer in the Saw Mill	Nottingham
98	1	98	1	1	1	Mary Ann	Wife	Mar	37	37	37	Do	Nottingham
99	1	99	1	1	1	John	Head	Mar	37	37	37	Labourer in the Saw Mill	Nottingham
100	1	100	1	1	1	Mary Ann	Wife	Mar	37	37	37	Do	Nottingham

Eng.—Sheet D.

John Benjamin Walker married Betsey Anne Maud on 15<sup>th</sup> July 1865 at the Parish Church of St Nicholas, Nottingham.

John B. and Betsey Ann Walker are to be found on the 1871 census. He is a lace curtain manufacturer. No sign of any children, yet:

Page 24 The undermentioned Houses are situate within the Boundaries of the

Civil Parish (or Township) of		City or Municipal Borough of		Municipal Ward of		Parliamentary Borough of		Town of		Village or Hamlet, &c. of		Local Board, or (Incorporation of Commissioners) District of	
No. of Schedule		ROAD, STREET, &c., and No. or NAME of HOUSE		HOUSES No. of Cottages (if any) and (if any) of other buildings		NAME and Surname of each Person		RELATION to Head of Family		CON-DITION		AGE of	
												Rank, Profession, or OCCUPATION	
												WHERE BORN	
127	1	127	1	1	1	John	Head	Mar	38	38	38	Domestic Servant	Nottingham
128	1	128	1	1	1	Mary Ann	Wife	Mar	38	38	38	Lace Curtain Manufacturer	Staffordshire
129	1	129	1	1	1	Robert	Head	Mar	38	38	38	Labourer in the Saw Mill	Nottingham
130	1	130	1	1	1	Mary Ann	Wife	Mar	38	38	38	Do	Nottingham
131	1	131	1	1	1	William	Head	Mar	38	38	38	Labourer in the Saw Mill	Nottingham
132	1	132	1	1	1	Mary Ann	Wife	Mar	38	38	38	Do	Nottingham
133	1	133	1	1	1	John	Head	Mar	38	38	38	Labourer in the Saw Mill	Nottingham
134	1	134	1	1	1	Mary Ann	Wife	Mar	38	38	38	Do	Nottingham
135	1	135	1	1	1	William	Head	Mar	38	38	38	Labourer in the Saw Mill	Nottingham
136	1	136	1	1	1	Mary Ann	Wife	Mar	38	38	38	Do	

Page 26

The undermentioned Houses are situate within the Boundaries of the

Civil Parish (Membership of Standard Hill)	Municipal Borough of Nottingham	Municipal Ward of Castle	Parliamentary Borough of Notts Notts	Town or Village or Hamlet of	Urban Sanitary District of Nottingham	Rural Sanitary District of	Ecological Parish or District of Standard Hill
186	1	1	1	1	1	1	1
187	1	1	1	1	1	1	1
188	1	1	1	1	1	1	1
189	1	1	1	1	1	1	1
Total of Houses..		4		Total of Males and Females..		11 1/2	

NOTE.—Draw the pen through such of the words of the headings as are inappropriate.

1891 Census: John Benjamin Walker manufacturer and a magistrate aged 48, wife Betsy aged 46 born at Leamington; Sons A. B. [Austen Benjamin] aged 12; S. L. [Spencer Lewis] aged 10; R. D. [Robert Dudley] aged 9; and daughter Hilda aged 4 – all born in Nottingham.

Administrative County of Nottingham

The undermentioned Houses are situate within the Boundaries of the

Page 10

Civil Parish	Municipal Borough of Nottingham	Municipal Ward of Castle	Urban Sanitary District of Nottingham	Town or Village or Hamlet of	Rural Sanitary District of	Parliamentary Borough of Nottingham	Ecological Parish or District of
180	1	1	1	1	1	1	1
181	1	1	1	1	1	1	1
182	1	1	1	1	1	1	1
183	1	1	1	1	1	1	1
184	1	1	1	1	1	1	1
185	1	1	1	1	1	1	1
186	1	1	1	1	1	1	1
187	1	1	1	1	1	1	1
188	1	1	1	1	1	1	1
189	1	1	1	1	1	1	1
Total of Houses and of Tenements with less than Five Rooms..		4		Total of Males and Females..		11 1/2	

NOTE.—Draw the pen through such of the words of the headings as are inappropriate.



CENSUS OF ENGLAND AND WALES, 1911.										
NAME AND SURNAME		RELATIONSHIP TO HEAD OF FAMILY	AGE (Years and Months)	PARTICULARS OF MARRIAGE			PROFESSION OR OCCUPATION		RESIDENCE	NATIONALITY
1. Robert Dudley Walker		Head	28	Married	2	1	1	Lace, then Lintam	England	England
2. Julia Ann Walker		Wife	26	Married	2	1	1	Manufacture	England	England
3. John William Walker		Son	1	Single					England	England
4. Ruth Holland		Servant	20	Single				General Labour	England	England
5. Elizabeth H. ...		Servant	25	Single				Russia	England	England

### A SHORT HISTORY OF THE WALKER LACE COMPANY

(Based on Nottingham University Archives)

The family firm was founded in the 1840s by Benjamin Walker (1803-1883), who was originally from Staffordshire. He was one of the pioneers of lace curtain making and formed a partnership with Edward Elsey in Beeston and Lenton.

By 1854 Walker and Elsey were operating from a factory on the corner of Commercial Street and Spring Close in Old Lenton, and from the mid-1860s until 1883 Walkers also owned a factory on Russell Street in Lenton where they operated Levers lace machines.

The company was employing 350 people in 1881, and Benjamin Walker had the house 'Lenton Eaves', now on the University Park campus of The University of Nottingham, built for him in around 1875. Benjamin Walker was co-founder, with Thomas Bayley, of the first co-operative movement in Nottinghamshire.



Some of Benjamin's patents:

1852: Improvements in the manufacture of braids:

811. BENJAMIN WALKER and WILLIAM BESTWICK, of Salford, in the county of Lancaster, Braid Manufacturers, for Improvements in the manufacture of braid, and the machinery or apparatus employed therein.—Dated November 22, 1852. Sealed April 20, 1853.

1861: Improvements in machinery or apparatus for the manufacture of bobbin net or twist lace:

591. To BENJAMIN WALKER, of Lenton, in the county of Nottingham, Lace Manufacturer, and WILLIAM TILSON, of the same place, Draughtsman, for the invention of "Improvements in machinery or apparatus for the manufacture of bobbin net or twist lace."  
*On their petition recorded in the Office of the Commissioners on the 9th day of March, 1861.*

1867: Improvements in means or apparatus for the manufacture of narrow fabrics:

<p>GADD. WALKER. 14th October 1867.</p>	<p>for the head."  <b>2883.</b> WILLIAM GADD, of 122, Portland Road, Nottingham, Consulting Engineer, and BENJAMIN WALKER, of Lenton, near Nottingham, Lace Manufacturer, for an invention for—"Improvements in means or apparatus for the manufacture of narrow fabrics."</p>	<p><i>Letters Patent sealed.</i></p> <p><i>Letters Patent sealed.</i></p>
---	--	---

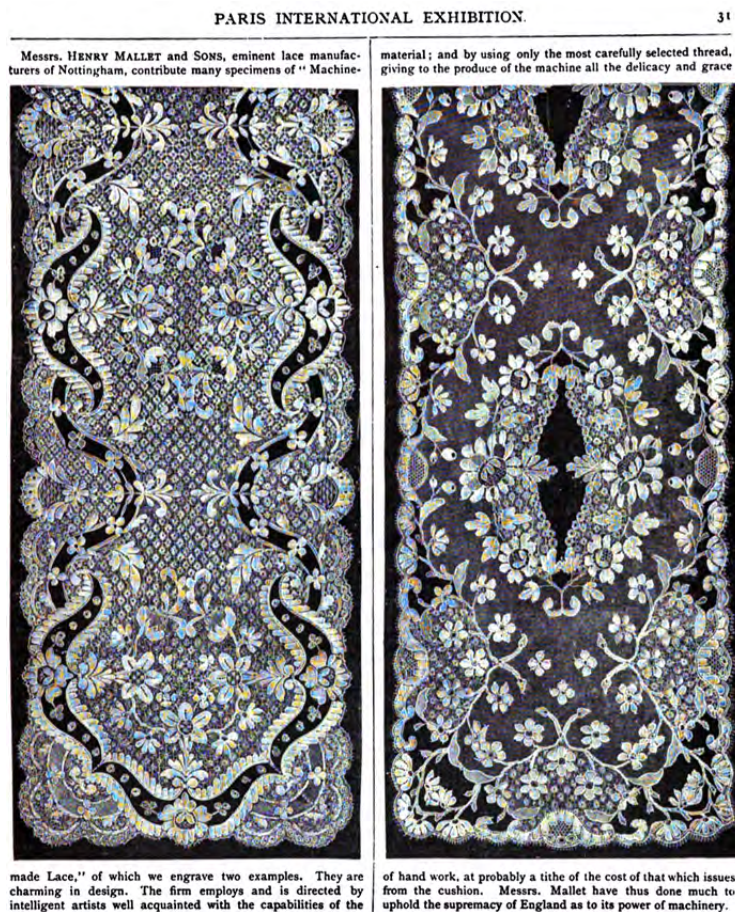
Below, Lenton Eaves, built in 1875 by Benjamin Walker (lace maker). The redbrick, Victorian Gothic building is in the style of a shooting lodge. It has two hound kennels, together with stables and a coach house. Its overhanging eaves obviously inspired the house's name. The Latin inscription to the right of the entrance, *Deus Major Columna*, God is our Great Pillar, tells us Walker was a God-fearing man. There is also a quirky window feature, possibly described as an oriel window, projecting from the north corner of the house. Small examples of stained glass can be seen in the windows.



*Benjamin's nephew, John Benjamin Walker* (1843-1921), [father of Hilda Mary Walker who married John Alexander Lloyd (II)] established his own company, J. B. Walker, in the 1880s. He took lace-curtain machines from Spring Close to a newly-built factory on Derby Road, Sandiacre. His uncle Benjamin Walker continued to operate from Lenton as B. Walker and Co. but his company left Commercial Street just before the First World War.

4/4/2016

In around 1894 J. B. Walker took over the firm of Henry Mallet and Sons, which was established at 35-37 St Mary's Gate in the Lace Market, Nottingham, and began selling lace as well as manufacturing it. Below from the catalog of the *Paris International Exhibition* of 1878:



The Mallet trade name was used by Walker for selling lace until the 1920s when the J.B. Walker Company began selling finished lace under its own name.

**N**OTICE is hereby given, that the Partnership heretofore subsisting between us, the undersigned, John Benjamin Walker and Robert Dudley Walker, carrying on business as Lace Manufacturers, Lace Curtain Manufacturers and Lace Merchants, at St. Mary's Gate, in the city of Nottingham, and at Clarke's Factory, Denby-road, Sandiacre, in the county of Derby and elsewhere, under the style or firm of "HENRY MALLET & SONS" and "J. B. WALKER & CO.," has been dissolved by mutual consent as and from the 31st day of August, 1918. All debts due to and owing by the said late firm will be received and paid by the said Robert Dudley Walker. —Dated this 31st day of August, 1918.

o66

J. B. WALKER.  
R. D. WALKER.

1921 John Benjamin Walker died on 21<sup>st</sup> March at Bournemouth – probate record below:

4/4/2016

**WALKER** John Benjamin of Ilfracombe St. Michaels - road  
**Bournemouth** died 21 March 1921 Probate **London** 6  
 August to Spencer Lewis Walker medical practitioner  
 John Alexander Lloyd esquire and Henry Purcell Day  
 solicitor. Effects £35732 18s. 1d.

After J.B. Walker's death in 1921 the firm was bought by his son Robert Dudley Walker (1882-1933) with the support of his brother Dr. Spencer Lewis Walker, and the name was changed to J.B. Walker and Company. Dudley developed an export trade, especially with Canada. Dudley's son John A. Walker started working for the company in 1927.

[There was a son of Robert Dudley's christened Robert Crawford Walker born 1913 but nothing subsequent to that]

Dudley died in 1933.

**WALKER** Robert Dudley of 3 Cavendish-crescent South **Notting-**  
**ham** died 3 April 1933 in the River Trent near Bleasby  
 Nottinghamshire Probate **Nottingham** 20 June to Spencer  
 Lewis Walker retired medical practitioner and Charles John  
 Pain chartered accountant. Effects £47984 10s. 7d.

He seems to have suffered from depression and his death was no accident.

## "WORRIED OVER TRIFLES."

### FATE OF NOTTINGHAM LACE MANUFACTURER.

No evidence was available at the inquest at the Wagon and Horses, Bleasby, last night, as to how Mr. Robert Dudley Walker, the Nottingham lace manufacturer, got into the River Trent near Hasleford Ferry on Thursday last. Accordingly, the Newark District Coroner (Mr. A. J. Franks) returned a verdict of "Found drowned."

The first indication of anything untoward was the fact that Mr. Walker's saloon car, which had been left outside the Star and Garter, at Hasleford Ferry, on Thursday, was still there the following day.

At last night's inquest evidence of identification was given by Dr. Spencer Lewis Walker, of the Old Stone House, East Grinstead, Sussex, brother of the deceased, who said the latter was 50 years of age and lived at 3, Cavendish Crescent South, Nottingham.

"The deceased had septic pneumonia six years ago," Dr. Walker told the coroner, "and had never been the same man since. He lost his nerve, and was subsequently subject to fits and depression. He worried over trifles, and seemed to magnify insignificant things."

#### WATER DIVINER'S AID.

The body of Mr. Walker was recovered near the ferry about 4.30 p.m. yesterday. Dragging operations which had been carried out by the police during the week-end, were resumed yesterday morning, when Mr. J. Clarke, a well-known water diviner, arrived on the scene.

He first cruised the stretch of river near the Star and Garter Hotel, where Mr. Walker's car was found abandoned, and on coming to the riverside, moved up and down the bank following his strange calling with the aid of hazel twigs, a piece of copper wire and a couple of buttons from Mr. Walker's clothing.

Eventually the water diviner indicated a spot about a quarter of a mile from the hotel, and a peg was driven into the bank. Dragging operations were carried out from a barge, attention being concentrated on the stretch of water in line with the peg, and at length the body was brought to the surface practically in mid-stream.

Last week-end the water diviner made efforts to locate the body of William Benson, the Carlton boy who lost his life in the Trent at Burton Joyce whilst making a gallant attempt to rescue a playmate.

## Diviner Finds Body

### SECOND TIME IN 2 WEEKS

**F**OR the second time within a fortnight Mr. J. Clarke, a water diviner, of Ab Kettleby, Melton Mowbray, has found the body of a man who had disappeared.

It was revealed yesterday that the body of Mr. Dudley R. Walker, a Nottingham lace manufacturer, was recovered from the River Trent near a spot pointed out by Mr. Clarke.

Mr. Walker drove to the Star and Garter Hotel at Hasleford, a riverside resort, on Thursday, walked along by the river, and was not seen again.

Dragging operations went on unsuccessfully for four days, and then Mr. Clarke was summoned.

He first inspected the river from a motor-boat and afterwards walked along the bank, holding in one hand two buttons belonging to Mr. Walker's clothing, and in the other two hazel twigs and a piece of copper wire. It was not long before the twigs became agitated.

A man drove a peg into the bank at the spot where Mr. Clarke was standing and dragging was resumed.

At the inquest at Nottingham yesterday a verdict of Found Drowned was returned.

4/4/2016

### **Jumping Twigs and Wire.**

7 What mysterious sensibility is it that has enabled Mr. John Clarke, a farmer of Ab Kettleby, Leicestershire, to locate the bodies of two drowned men with the aid of only a couple of forked hazel twigs and a piece of copper wire?

Mr. Clarke, who is well known as a water diviner, led searchers to a spot in the River Wreake, where lay the body of Thomas Wilson, a missing commissioner.

Later his twigs unerringly pointed out where the body of Mr. Dudley R. Walker, a Nottingham lace manufacturer, lay in the River Trent.

"He is kept very busy, you see," his daughter-in-law said. "He has been practising divining for, I think, the last 20 years, but not until recently did he find that he could locate dead bodies. He was as astonished as anybody." She explained that it was necessary for Mr. Clarke to hold in one hand something that the dead man had worn.

"His gift is really uncanny," she went on. "He will take, for instance, a hat belonging to an absent person and in the other hand hold his hazel twigs and a piece of copper wire. The twigs immediately bend and shake and point in the direction of the owner."

She mentioned that when Mr. Clarke was water-divining the "reaction" of the twigs and copper wire were quite violent. "I have seen the copper wire coil rapidly and tightly round his arm when he has stood over a subterranean stream," she declared. "And if he stands over the two wells in the farmyard here the twigs will almost jump out of his hand."

*Western Mail* (Perth, Western Australia) 11 May 1933:

### **Jumping Twigs and Wire.**

What mysterious sensibility is it that has enabled Mr. John Clarke, a farmer of Ab Kettleby, Leicestershire, to locate the bodies of two drowned men with the aid of only a couple of forked hazel twigs and a piece of copper wire?

Mr. Clarke, who is well known as a water diviner, led searchers to a spot in the River Wreake, where lay the body of Thomas Wilson, a missing commissioner.

Later his twigs unerringly pointed out where the body of Mr. Dudley R. Walker, a Nottingham lace manufacturer, lay in the River Trent.

"He is kept very busy, you see," his daughter-in-law said. "He has been practising divining for, I think, the last 20 years, but not until recently did he find that he could locate dead bodies. He was as astonished as anybody." She explained that it was necessary for Mr. Clarke to hold in one hand something that the dead man had worn.

"His gift is really uncanny," she went on. "He will take, for instance, a hat belonging to an absent person and in the other hand hold his hazel twigs and a piece of copper wire. The twigs immediately bend and shake and point in the direction of the owner."

She mentioned that when Mr. Clarke was water-divining the "reaction" of the twigs and copper wire were quite violent. "I have seen the copper wire coil rapidly and tightly round his arm when he has stood over a subterranean stream" she declared. "And if he stands over the two wells in the farmyard here the twigs will almost jump out of his hands."

Dudley's business partner Claude Newham formed a new company, Henry Mallet and Sons Ltd, which took over J.B. Walker and Company together with its Sandiacre factory. Newham became managing director, with J.A. Walker as a director.

Two years later, in 1935, Newham and Walker split their partnership. Newham bought out the Henry Mallet business, and Walker the Sandiacre business. The company became a limited company, J.B. Walker and Company Limited, in 1937. The warehouse at 35-37 St Mary's Gate, Nottingham was in the hands of a trust after 1933, for the benefit of Dudley's widow and children, but was leased back to J.B. Walker and Co. Ltd by the trustees, who included J.A. Walker. It was sold in 1984.

4/4/2016

In 1937 the Nottingham and Scottish lace curtain machine-owners came to a mutual agreement on price control. During the Second World War J.B. Walker and Co. Ltd, along with other Nottingham and Scottish manufacturers, was amalgamated into British Lace Furnishings Ltd, a company formed as a result of the Board of Trade's wartime action to concentrate industries. J.A. Walker was the Nottingham Controller. Members' plants were returned to their owners when British Lace Furnishings Ltd was closed down in 1948.

After the Second World War J.B. Walker and Co. Ltd bought a neighbouring factory, the Acme Factory, in Sandiacre, from Sir Ernest Jardine. The Acme factory was rented out to tenants. In 1953 J.B. Walker and Co. Ltd was one of four companies, which formed a consortium to buy a Nottingham lace dyeing firm, Basford Dyers Ltd. The other companies were Cleland Brothers Ltd of Darvel, Scotland, Henderson Morton Inglis Ltd of Newmilns, Scotland, and Holmes and Baxter Ltd of Basford. J.A. Walker had worked with these owners during the period of British Lace Furnishings Ltd.

<http://www.macearchive.org/archive.html?Title=134>

In 1966 the four companies amalgamated to create Basford Dyers (Holdings) Ltd, each of the companies becoming subsidiaries of the holding company. The name of the holding company was changed to Basford Textile Group Ltd in 1969, and The Basford Group Ltd in 1990. J.A. Walker was chairman of Basford Textile Group Ltd from 1970 until his retirement in 1984. He remained as non-executive chairman for another year. Homeware products manufactured by the group were sold under the brand name 'Bonfab'.

On J.A. Walker's retirement in 1984 the structure of Basford Textile Group Ltd became much tighter, with the various companies within the group becoming divisions of the parent company rather than subsidiaries. In the late 1980s lace production was concentrated in Darvel in Scotland, and the Sandiacre factory was cleared and sold in 1990. Basford Textile Group Ltd had bought the lace company George H. Fletcher and Sons Ltd, of Heanor, Derbyshire, in 1989, and subsequently moved the company's Head Office to Heanor. The Basford Group Ltd was sold by its shareholders to the Cresswell Group in 1996 and went into liquidation in around 1999.

J.A. Walker was a prominent member of the British Lace Federation, a trade association representing the lace industry, and was its Deputy President in 1967 and its Vice-President in 1988/9. In 1960 the Federation was invited to join Celibrade, the European Lace Trade Association. J.A. Walker was President of Celibrade from 1977-1979. He was also a member of the board of Nottingham Lace Centre Ltd in the 1980s and 1990s. He was awarded the MBE in 1979 for services to the lace trade.

See more [HERE](#): See also: 'The History of J.B. Walker and Co. Ltd', ed. Jane Bealby, née Walker (privately printed by Edwinstowe, 2009) [copy at BWL/14/1].

Papers of J.A. Walker relating to the lace firms J.B. Walker and Company Ltd and [Basford Textile Group Ltd](#), of Sandiacre and Nottingham, and to the lace trade in Nottingham and Scotland; c.1880-2010

4/4/2016

## **JOHN ANDREW WALKER.**

John A. Walker MBE (1910-2009) was the son of Robert Dudley Walker and the third generation of the Walker family engaged in lace manufacturing in the Nottingham area. He would have been Hilda Mary (Walker) Lloyd's nephew.

### *Notice in the Daily Telegraph*

John Andrew Walker MBE, of Nottingham. Died peacefully on 13<sup>th</sup> March 2009 in his 99th year after a distinguished career in the lace trade. Devoted husband of Barbara (deceased) and father to Dudley, Martin, and Jane (Bealby). Loving grandfather and great-grandfather. A private cremation will be held prior to a service at St Peter's Church, Nottingham on Monday 20th April at 2.30 p.m. Family flowers only. If desired, donations can be made to the Injured Jockeys Fund c/o Baguley Bros, 500 Mansfield Road, Sherwood, Nottingham, NG5 2FB.



John Andrew Walker and Family.

### 1967 Dr. Walker's Obituary Transcription of East Grinstead Observer 27 Apr 1967 Obituary

Served Town As Doctor, Scout And Councillor

Dr S L Walker [Uncle of the above John Andrew Walker, bother of Robert Dudley Walker, and son of John Benjamin Walker]

The funeral service took place on Friday at St. Peter's Church, Nottingham, of Dr. Spencer Lewis Walker, M.D., L.R.C.P., M.R.C.S., of Stonehouse, Forest Row, one of the founder members of the East Grinstead and District Scout movement.

Dr. Walker, who was 86, was formerly a very well known medical practitioner in East Grinstead. He came to live in East Grinstead in 1910 and joined the newly-formed Boy Scouts as a Scoutmaster. During the 28 years of Scouting that followed he rose to District Commissioner and was awarded the Silver Wolf, Scouting's highest honour.

4/4/2016

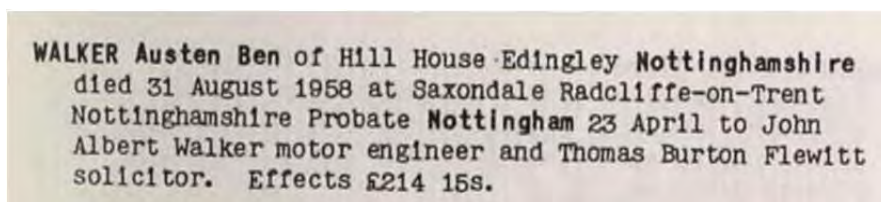
He also played a major role in the erection of the present Scout headquarters at Moat Road, East Grinstead

He was chairman of East Grinstead Urban Council during 1937-1938, 1942-1943 and 1943-1944 and in the war years was the first to begin recruiting for the local Defence Corps, predecessor of the Home Guard.

In addition to members of the family at the funeral service, Dr. Jean Kies and Mr Fred Weller were present as former East Grinstead Scouts. Arrangements have been made for the ashes to be scattered on Ashdown Forest following a 'Scouts Own' service at Broadstone Warren on Sunday, May 7, at 3 p.m.

Former East Grinstead Scouts sent the following tribute to the 'Observer': There are hundreds of men around the world today whose lives are more interesting and complete because of the education received through the Scout movement from 'Doc'. To list some of the Scouting activities promoted or encouraged by him: Glider building and gliding, wireless transmission and reception, all just prior to the 1914-18 War, boxing, physical training and swimming, woodcarving, wood-turning and leather-work. Where necessary he employed professionals to give instruction; for example; boxing and wood-turning.

1958 Death and probate of Austen Benjamin Walker [Brother of the above Spencer Lewis Walker and Robert Dudley Walker, and son of John Benjamin Walker]



WALKER Austen Ben of Hill House Edingley Nottinghamshire  
died 31 August 1958 at Saxondale Radcliffe-on-Trent  
Nottinghamshire Probate Nottingham 23 April to John  
Albert Walker motor engineer and Thomas Burton Flewitt  
solicitor. Effects £214 15s.

### **The Nottingham Cooperative Society**

The Nottingham Cooperative Society (Ltd.) was established in 1863. The idea that gave birth to its foundation was the result of a report that the cotton operators of Yorkshire and Lancashire, during the hard times then prevalent, were enabled to avoid suffering by falling back upon their savings invested in what they called "The Cooperative Society."

This society at the time was a novel institution, but its principles and their satisfactory results so favorably impressed two Nottingham manufacturers, Mr. Thomas Bayley and Mr. Benjamin Walker, who were deeply interested in the welfare of their workpeople, that they recommended the establishment of a similar society to their employees.

*Another source states that:*

It was events in Lancashire, the Lancashire Cotton Famine, which prompted the founding of the Nottingham Co-op. In the mid-1860s, the cotton mills of Lancashire were at the height of production, with cheap and plentiful cotton coming from the Southern States of America. With

4/4/2016

the outbreak of the American Civil War this supply of cotton was cut off and the mill workers went from being amongst the highest paid to unemployed.

In 1863, Messrs Thomas Bayley and Benjamin Walker, from the Laceworks at Lenton, visited Lancashire to see the effect of the famine.

On returning home, convinced by the benefit of Co-operative and Mutual Societies' effect on alleviating the worst of the problems, they founded 'The Lenton Industrial and Provident Society'.

When the first retail shop was opened, on the corner of Gregory and Abbey streets, Lenton, the rather formal name had changed to The Lenton and Nottingham Co operative Society and, later, simply the Nottingham Co-operative Society. By 1914, the Society had over 50 shops and 13,000 members with an annual turnover of £250,000.

Brownsword.—Alderman Anderson Brownsword, J.P.,

Of Chestnut House, Nottingham, and Dilham House, Norfolk; son of John and Rebecca Brownsword; born at Nottingham, June 23<sup>rd</sup> 1839; educated at the Park Academy, Nottingham. Has been a member of the City Council since 1886; Mayor, 1892-93; Sheriff of the City, 1890-91; Alderman and Justice of the Peace for the City; Chairman of the City Corporation Tramways Committee; Overseer of the parish of Nottingham; Governor of the Nottingham High School; Hon. Secretary for many years of the House of Refuge, Chaucer Street; for thirty-five years Hon. Organist and Choirmaster of the Broad Street Baptist Church, and Treasurer of same; President of the Nottingham



Nonconformist Choir Union, and of the Nottingham Philharmonic Society; President of the Eastern Division Liberal Association; Chairman of Thomas Bayley and Company, Ltd., and of B. Walker and Company, Ltd.; Director of the Ilkeston Colliery Company, Ltd. **Married Jane, second daughter of the late Benjamin Walker, of Lenton Priory, Nottingham, and Stretton, Derbyshire**, and has issue one son and one daughter; member of the Borough and Liberal Clubs. Mrs. Brownsword is a member of the Nottingham Board of Guardians, representing the Manvers Ward.

## APPENDIX

AT Leicester, on Wednesday, October 28, 1908, before the Borough Magistrates, Lester Harry Lloyd, Rutland Street, Leicester, was summoned that he "not being a legally qualified medical practitioner, and not being registered under the Dentists Act, 1878, did unlawfully take and use a description, viz., 'Dentistry Notice. Mr. Lloyd's only address is now 62, Rutland Street. Mr. Sharpe is with him,' implying that he, the said Lester Harry Lloyd, was registered under the said Act," from September 21 to 26. Another similar summons was for taking and using a description,

4/4/2016

viz. : “Perfect and painless dentistry—Mr. Lloyd has removed from Gallowtree Gate to 62, Rutland Street,” on July 4, 1908. A third summons was, that not being a legally qualified medical practitioner, and not being registered under the Dentists Act, 1878, he did take and use a description, viz.: “ Mr. Lloyd, many years in Gallowtree Gate; painless treatment of mouth and teeth; maker of high class artificial teeth. Hours 10 to 8 ; [0 to 1 Thursday,” implying that he was specially qualified to practise dentistry, on October to.

Mr. P. C. Sandlands prosecuted on behalf of the British Dental Association; Mr. W. F. Curtis represented the defendant.

Mr. SANDLANDS said the British Dental Association existed for the protection of its members, and to see that the public were properly protected from persons who were not qualified. In 1878, an Act was passed, called the Dentists Act, and under that Act no one was entitled, under a penalty of £20, to use the term dentist, or a similar title, unless properly qualified and registered. The offence in the first case lay in an advertisement inserted by the defendant in a local newspaper, and the question for the Bench was, whether the style or description led one to suppose the defendant was registered under the Act, or that he was a person specially qualified to practise dentistry. The words “painless dentistry” used by defendant suggested that he was registered under the Act.

Mr. G. ATKINSON, a solicitor, of Birmingham, said that defendant was not on the Dentists’ Register.

After evidence as to the publication of the advertisement, Sergeant Ward deposed that on serving the summons he saw on defendant’s premises in Rutland Street the usual apparatus of a dentist.

For the defence. Mr. CURTIS said his client admitted the advertisements. but argued that under the Act he had committed no offence. He had in no way imposed on the public, or induced them to believe he was specially qualified to practise dentistry.

Mr. LLOYD was sworn, and said he had carried on the business for some considerable time, but had never had a complaint made against him before. He knew the provisions of the Act, and had always endeavoured to avoid making himself liable under them.

Mr. SANDLANDS: Is dentistry a science or art practiced by dentists?

DEFENDANT; Yes, it is, and also by people who are not dentists.

Mr. SANDLANDS : That may be.

The Bench decided to convict in this case.

Mr. SANDILANDS said he was prepared to withdraw the second summons if the advertisement complained of was withdrawn.

In the third case, Mr. Sandlands said the description used by defendant outside his premises indicated that Mr. Lloyd was not only specially qualified to act as a dentist, but that he did perform all that might be expected of a dentist.

Mr. I. T. COOPER, having spoken of the inscription outside defendant’s Premises, Mr. Curtis contended that the wording complained of was simply a statement of fact, which Mr. Lloyd was entitled to make. He did not impose on the public, for what he said was quite true. Defendant had carried on business in Gallowtree Gate for many years, and he was quite entitled to use the term

4/4/2016

“painless dentistry” if he thought fit to do so. .... \_ ‘

Mr. VINCENT : Do not you think a statement of that kind implies that he is a person specially qualified to practise dentistry ?

Mr. CURTIS: No, sir. \_

The Bench decided to convict in this case. In the first case a fine of 20s., and £5 5s. costs, was imposed, the second case was allowed to be withdrawn, while in the third case a fine of 20s., and ordinary costs, was inflicted.

Some Symington Corset Ads:

*You bend, twist, sit—it won't ride up!*



Fine fitting, fine feeling always—this Liberty (reg'd.) Nu-back Foundation stays put at the top, stays put all over, doesn't warp or stretch.

Send for a Liberty leaflet

**IT'S THE 'LIBERTY' NU-BACK FOUNDATION**

Made by R. & W. M. SYMINGTON & CO. LTD., DEPT. D.K.S., MARKET HARBOUROUGH

ASK FOR  
**Peter Pan**  
Regd.

—THE BEST  
UTILITY BODICE

with a reputation we are determined to maintain. It is soft and cosy, whilst giving freedom and support. The rubber buttons won't break in the wash.

Sizes from infants to 16 years.

Its makers R. & W. H. Symington & Co. Limited, Market Harborough, are famous for children's quality bodices.




**Childhood**

Plenty of attention is needed for the healthful development of growing children—but they need be suitably and comfortably clad. The "Liberty Bodice" allows for perfect freedom of action and unrestricted circulation, yet provides the right amount of support. Pliable, hygienic, porous.

**"Liberty Bodice"**

*(KNITTED FABRIC)*  
Write for a copy of the beautiful illustrated book for children—"Give us Liberty Bodice"—Send 1/2 stamp. Made in 15 sizes for children. Also for young ladies and ladies. For prices and particulars send card for free "Liberty Bodice" book. "Liberty Bodice" (Dept. D.K.S.), Market Harborough.



*Two ways to a happier figure*

CLEVERNESS No. 2



You slip-side it shut with just one quick movement! No protruding studs! No riding up through you bend, sit, twist for that! "Nu-back" extends as you move, stays put at the top and all over! Made in French brocade with elastic side panels—smooth-fitting, so comfortable. 14 inches deep, waist sizes 26" to 36". Prices 4/1/6d. up to 3/2" and 4/7/0d. for sizes 33" to 36".

Write for the NEW Liberty booklet for R. & W. H. Symington & Co. Limited, Dept. D.M.14, Market Harborough.

Such a difference

WITH THE 'LIBERTY' STUDLESS NU-BACK WRAPROUND

LIBERTY gives control—  
with a difference—  
the difference is COMFORT

*To wear under's dainties, you've got to look slim. But this doesn't mean you've got to change a rigid, uncomprehensible cage round you. You can be trimly, correctly proportioned by Liberty—no conflict! Here are two examples.*

LE 385. For the new fashion and the modern Liberty complete corsetette gets printed with "Liberty" pattern. White satin, centre panel, bands of silk tulle and tulle net. 18" deep centre front. Lace eye band. Bust 18" to 20", 8/7/6.

LE 418. A high-waisted semi strap-on white tulle top and elastic net. Fully lined, jet along complete freedom of movement because of the unique Nu-Back panel fit. A specially fitted front and the Nu-Back front panel stretch, making it give good support, rubber resistance from protruding bones. Depth 16", side rib. Waist 22" to 26", 8/11/6.

LE 518. Light but in white nylon sheath and nylon net. Deep hand for diaphragm support. Full cup front and back. Bottoming. Waist 14" to 24", 2/2/6.

FREE! The complete Liberty Foundation Catalogue Write to R. & W. H. Symington & Co. Ltd., Dept. D.M.14, Market Harborough, Leics.

\*Such a difference with

**LIBERTY FOUNDATIONS**

*Galeries Lafayette*

200, rue de la Harpe, PARIS  
The shop stands in the heart of London

**New streamliner**

Slender and femininity suggest without a single bone. This new Liberty corset, in nylon and elastic net, smooth and elastic top to a beautiful figure in a more and more refined way. Even the shape of the ribbons, every fastening, just as it is high as a feather and without a bone.

LE 518 Full on corset in nylon, elastic, nylon lace, and elastic net. Nylon. Depth centre front, 18". Bust 18" to 20", 8/11/6.

There's a **Liberty** for every figure

FREE! Your Liberty and Your New Streamliner illustrated catalogue with a complete set of charts to help you choose. Write to Dept. D.M.14, R. & W. H. Symington & Co. Ltd., Market Harborough, Leics.





Some Symington Food Ads:

**The Modern Housewife**

does not spend valuable time buying ingredients for soup, cutting up vegetables, or watching saucepans for hours. But she still gives her family savoury, appetising, wholesome soup, for she uses Symington's Soups. Symington's Soups are more nourishing and economical than meat—they are simplicity itself to prepare—their delicious and sustaining qualities make them a family favourite.

**SYMINGTON'S SOUPS**

**THIRTEEN VARIETIES**  
Tomato, Oxtail, Mulligatawny, Lentil, Kidney, Hare, Mock Turtle, Green Pea, Celery, Pea, Scotch Broth, Onion, White Vegetable.

Sold in packets, 4½d. and 2d.

W. SYMINGTON & CO., LTD.,  
Bowden Steam Mills  
Market Harborough



**When in Doubt**

try one of each! There is no monotony with Symington's Soups—there are 13 different varieties, a different one every day for nearly a fortnight. Each variety is equally delicious, too. Try them all—experiment with them—let the members of your family decide which they like best.

Each packet will give you a quart of wholesome, appetising and nourishing soup—no trouble to prepare and inexpensive to buy.

**SYMINGTON'S SOUPS**

Thirteen Varieties:—Tomato, Oxtail, Mulligatawny, Lentil, Kidney, Hare, Mock Turtle, Green Pea, Celery, Pea, Scotch Broth, Onion, White Vegetable.

Sold in 4½d. and 2d. packets.

W. SYMINGTON & CO., LTD.,  
Bowden Steam Mills, Market Harborough.



**The Tempting Savour**

SYMINGTON'S SOUPS always raise pleasing expectations in young and old. There is a wide variety of delicious flavours, and every soup gives sustenance and satisfaction. The children love Symington's, and a steaming plate of one of these tempting soups, together with a round of toast or a slice of bread, makes a wholesome and sustaining meal.

**SYMINGTON'S SOUPS**

13 Varieties: Tomato, Oxtail, Mulligatawny, Lentil, Kidney, Hare, Mock Turtle, Green Pea, Celery, Pea, Scotch Broth, Onion, White Vegetable.

Sold in Packets 4½d. and 2d.

W.M. SYMINGTON & CO., Ltd., Bowden Steam Mills, Market Harborough.

**Symington's Soup Prizes**  
(No 3)

We want every reader of "The Daily Mail" to try SYMINGTON'S SOUPS—so once again we invite you either to send four penny stamps for a packet (sufficient to make one quart of the most delicious, nourishing soup you ever tasted) or to obtain a packet from your grocer and send us the empty carton, and once again we offer

**£10**

and 20 Shares of Symington's Value Certificate for distribution among those who subscribe to the contest. The conditions are carefully laid out in the enclosed card, which will be sent to you on application to the Editor of "THE DAILY MAIL" or to the Secretary of SYMINGTON'S SOUPS.

**W H E E S L O P I S U**  
**F B A V P D E F E Y R B L**  
**U N I P E R S L A O P**  
**R A M V A A C H T A L U I**  
**M E T H E L N I E R B A D O**  
**L E V O E L I D O E T E A**  
**E R I E O V A R Y T E R O**

Prizes given when a full stop has in any event we will send you each number of which will stand ready to be sent to you, and in case the number of entries given exceeds the number we will present a £100 Prize to the first 1000 entries and the £100 Prize to the next 1000 entries. The £100 Prize will be given to the first 1000 entries and the £100 Prize to the next 1000 entries. The £100 Prize will be given to the first 1000 entries and the £100 Prize to the next 1000 entries.

**SYMINGTON'S SOUPS**

Be sure to say which of the nine Varieties you require—  
MULLIGATAWNY - PEAS - TOMATO - WHITE VEGETABLE  
CELERY - ONION - GREEN PEAS - LENTIL - KIDNEY BROTH  
CHICKEN - HARE - PEAS - CELERY - PEAS - CELERY - PEAS  
Celery, Pea, Scotch Broth, Onion, White Vegetable.

Export Agents: C. & F. Motter, London.

The Wholesaler of the Food and Drink of the World, 11, Abchurch Lane, London, E.C. 4.

W. SYMINGTON & CO., LTD., Bowden Steam Mills, Market Harborough.

**More, please!**

The healthy child thoroughly appreciates the appetising and invigorating qualities found in Symington's Soups. And in these days of meat and vegetable scarcity there is no easier, more economical, or more satisfying way of preparing a good meal for the children than by giving them

**SYMINGTON'S SOUPS**

Simply add water to the contents of the package, and boil for fifteen minutes. You obtain a quart of delicious, wholesome, and nourishing soup.

Sold in packets 4½d. and 2d.

Thirteen Varieties:—Tomato, Oxtail, Mulligatawny, Lentil, Kidney, Hare, Mock Turtle, Green Pea, Celery, Pea, Scotch Broth, Onion, White Vegetable.

W. SYMINGTON & CO., LTD., Bowden Steam Mills, Market Harborough.

Some like one flavour best—some another—but they all agree that each and every variety is unequalled for its nourishing and satisfying properties. Economical to use—easy to prepare.

**SYMINGTON'S SOUPS**

Mix the contents of a packet with cold-water and boil for fifteen minutes—you obtain a quart of most delicious and wholesome soup and you save time, labour and fuel.

Sold in Packets, 4½d. and 2d. Of Grocers and Steam.

W. SYMINGTON & CO., LTD.,  
Bowden Steam Mills, Market Harborough.

**SYMINGTON'S Granulated GRAVY**

GIVES AN APPETISING FINISH.

WHEN you see good, rich gravy you may be sure it is made with Symington's Gravy. Symington's gives an appetising and savoury richness to all joints, meat, stews, game, poultry, etc. It is the secret of success of all good cooks. So easy to make—so economical too. Symington's is invaluable for children, as potatoes and gravy, or bread and gravy—apart from meat—form an excellent food.

W. SYMINGTON & CO., LTD.,  
Bowden Steam Mills,  
Market Harborough.



Symington's Soups are made in many delicious varieties. Their inviting and zestful flavour stimulates the appetite—their nourishing and wholesome food-value completely satisfies it.

## SYMINGTON'S SOUPS

save time, save labour and save fuel.

In many varieties: Tomato, Oxtail, Mulligatawny, Lentil, Kidney, Hare, Mock Turtle, Celery, Pea, Scotch Broth, Onion, White Vegetable.

Sold in Packets, 5d. and 2d.

Of all Grocers and Stores.

W. SYMINGTON & CO., LTD.,  
Bowden Steam Mills, Market Harborough.

### Ideal Menu for June Days

Some excellent suggestions for the Summer Dinner, Lunch, or Supper.

**Soup—Symington's Celery**  
For other June days select one of the following from the many varieties of Symington's Soups:—White Vegetable, Onion, Scotch Broth, Lentil, Tomato, or Pea. No preparation of vegetables or long cooking over the fire. Quickly and easily made and everything in the packet.

**Salad—Symington's "Salanaise"**  
in the ideal dressing. Makes a delicious Mayonnaise, or Farture Sauce.

**Sweets—Orange Cream Pudding**  
Made with Symington's Ideal Table Creams. Among other varieties are Lemon, Raspberry and Strawberry.

Sold in packets Of all Grocers.

W. SYMINGTON & CO., LTD., Bowden,  
Steam Mills Market Harborough Leicestershire.



"Mary—  
You're Marvellous!"

"I thought it took hours to make a soup like this."  
"So it does," nodded Mary.  
"But we've been at Town the whole day."  
"Yes, but this is Symington's Soup. It's the chef who took hours to make it for us. I wonder who spent their lives in cooking when they can get packet soups like this and mix them in five minutes!"  
"So do I. It's like, it's good soup, Mary. Of course you ARE marvellous to think of it!"

## Symington's Soups

Sold in 2d. & 5d. packets by all good grocers. In the following:—London, Glasgow, Cardiff, Liverpool, Manchester, Birmingham, Leeds, Newcastle, Hull, York, Leicester, Nottingham, Lincoln, Worcester, Exeter, Plymouth, Southampton, Bristol, Brighton, London, and all other ports.

Also Chem Soap in 2d. bottles.

## Symington's Soups

HERE'S A MENU OF 14 DELICIOUS VARIETIES—all easy and quick to prepare



When a busy morning finds it is to know that whenever you fancy soup to warm and cheer you, you can have it made and ready in a jiffy. That's the blessing of Symington's Soups. Theirs are ready and quickly prepared—so rich and good and nourishing, too. 15 delicious varieties, made by skilled chefs from the purest and choicest meats and vegetables and all served where in 2d. and 5d. packets. They save you endless time and trouble.

All you do is to take your packet of Symington's Soup, empty its contents and mix into a smooth paste. Then add the required amount of water. Nothing could be simpler.

Now, before you mix the soup, dip the lid into the water to keep the cover of the soup-pot as smooth as possible to prevent the delicious fragrance of the soup.

After 10 to 15 minutes a rich creamy fragrance fills the kitchen. Give a final stir, your soup is ready—rich—appetising—good.

## SYMINGTON'S SOUPS

14 Varieties but only One Quality!

You should never be without them.

WITH a packet or two of Symington's in the food cupboard you are prepared for any emergency, ready to serve a delicious soup at a moment's notice. The unmistakable fragrance of choice materials and genuine goods you directly it begins to simmer. It's a credit to your kitchen when it comes to the table, all steaming, hot, rich, flavoured and tempting. And when a rest to food food is delicious and satisfying at such little cost. 2d. and 5d. packets—that's all Symington's Soups are.

Made in a modern and well equipped factory. Under the direction of Messrs. W. Symington & Co., Ltd., Market Harborough, Leicestershire. Solely prepared from the finest materials. Sold in 2d. and 5d. packets. Try the New Variety—Lentil Soup—Also Chem Soap in 2d. bottles.

Many of the best hotels use Symington's Soups for supplying them, most also, etc.

W. SYMINGTON & CO., LTD., MARKET HARBOURGH, LEICESTERSHIRE.

## SYMINGTON'S COFFEES

Have maintained their reputation for more than FIFTY YEARS.

MANUFACTURERS: BOWDEN STEAM MILLS, MARKET HARBOURGH.

## Symington's Coffee Essences

EDINBURGH



CUT OUT THESE RECIPES AND SAVE THEM!

### The family WILL THANK YOU FOR MAKING STEWED KIDNEYS & RICE

Another new recipe shall be glad to know from HAZEL BURKE, the famous Cookery Expert and Principal of the Symington's Cookery Advice Bureau. We wait for them on this page each week, and keep them.

**Stewed Kidneys and Rice**  
For 6 persons. Chop a small onion and cut up 1 lb. of kidneys (of several sheep's kidneys) into suitable sized pieces. Fry gently in bacon dripping (or butter, if preferred). A squeeze of lemon juice improves the flavour. Make a sauce from a quart packet of Symington's Kidney Soup, using only 1 to 1½ pints water. Add to the kidneys and simmer slowly for 40 minutes. Boil 6 to 8 oz. Parsi rice. Arrange in ring on hot dish, pour in kidneys and sauce, garnish with 6 grilled bacon rolls (made from 3 rashers).

## SYMINGTON'S SOUPS

Delicious SOUPS 15 TASTING VARIETIES 2d. & 5d.

Remember to send. And you'll never know all the delightful dishes you can make for the long light days.

Write to Bowden Steam Mills, Market Harborough, Leicestershire, for the full list of varieties.

## Symington's Soup Prizes

(No 3)

We want every reader of "The Daily Mail" to try SYMINGTON'S SOUPS—so once again we invite you either to send four penny stamps for a packet (sufficient to make one quart of the most delicious, nourishing soup you ever tasted) or to obtain a packet from your grocer and send us the empty carton, and come again to offer

**£10**

Send 2d. packet of Symington's Table Delicacies for distribution among those whose addresses we require. The conditions are simplicity itself—write us a postcard or letter which sets out your name, address, and the name of the grocer to whom you wish to obtain a packet of SYMINGTON'S SOUPS.

OVINGOSDLOPISU  
FRAVUPDEYVYBIL  
ODNREYTERFURR  
ULNUPENRELAOP  
KARVAACHTAUULI  
MRETHRNIEHADO  
LEVOELDQETEA  
ERIEVOAYETTERO

Perhaps you can solve a puzzle which will win you a prize of £10.00. The puzzle is to be solved by sending us a postcard or letter which sets out your name, address, and the name of the grocer to whom you wish to obtain a packet of SYMINGTON'S SOUPS. The puzzle is to be solved by sending us a postcard or letter which sets out your name, address, and the name of the grocer to whom you wish to obtain a packet of SYMINGTON'S SOUPS.

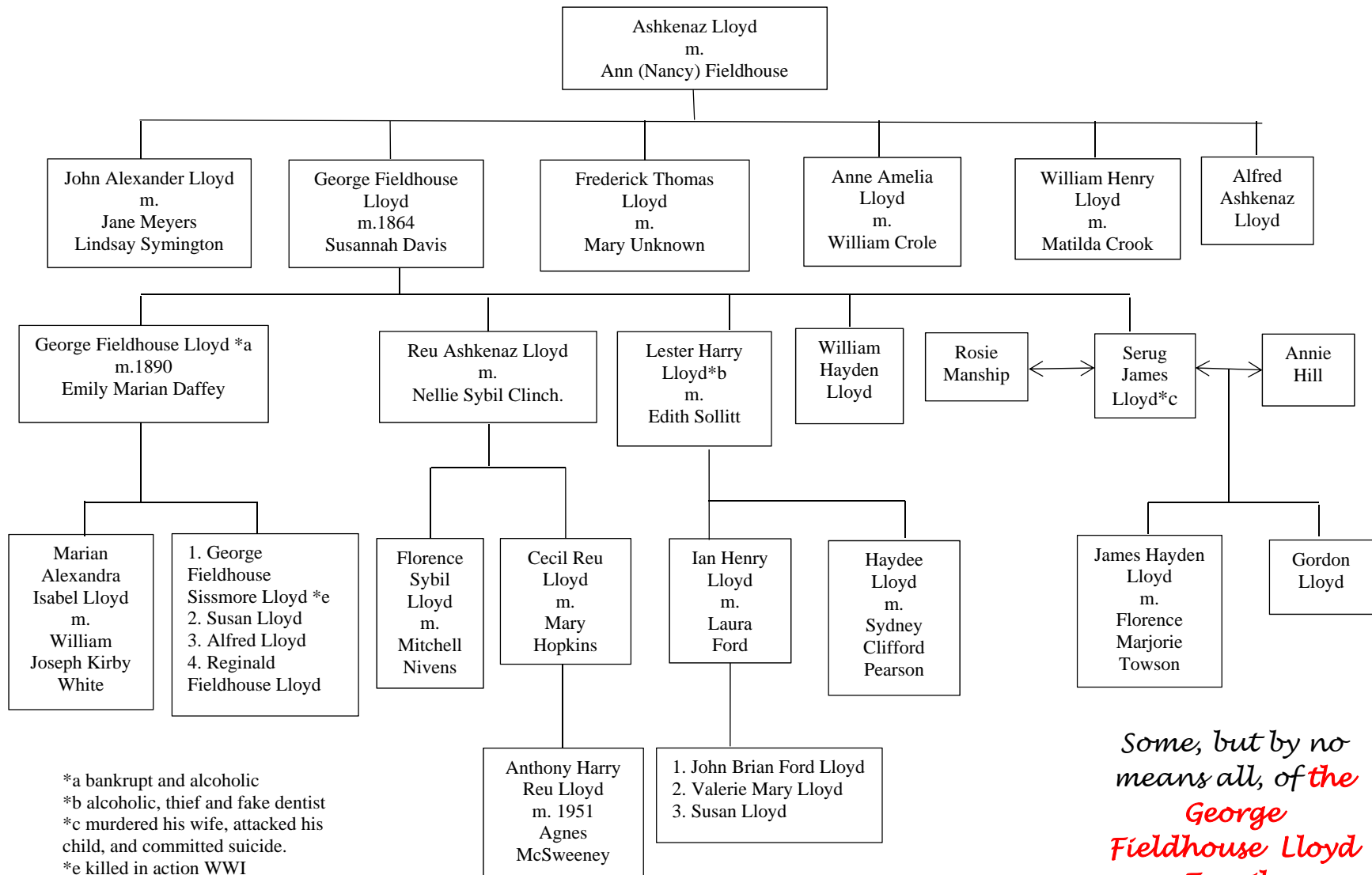
## SYMINGTON'S SOUPS

Be sure to say which of the nine Varieties you require—MULLIGATAWNY—PEA—TOMATO—WHITE VEGETABLE—CELERY—ONION—GREEN PEAS—LENTIL—SCOTCH BROTH—CHICKEN—HARE.

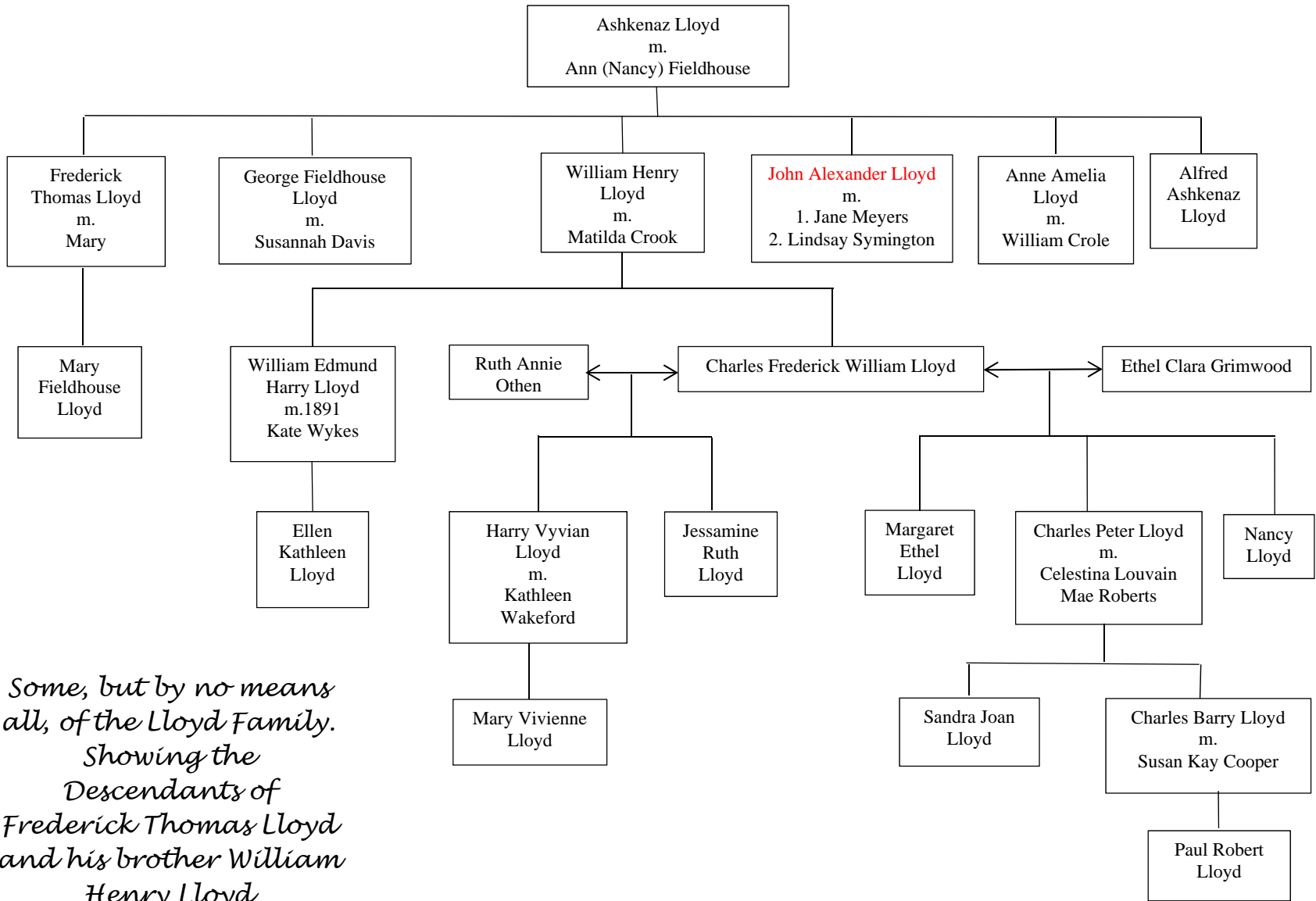
Remember to send. And you'll never know all the delightful dishes you can make for the long light days.

Write to Bowden Steam Mills, Market Harborough, Leicestershire, for the full list of varieties.

4/4/2016

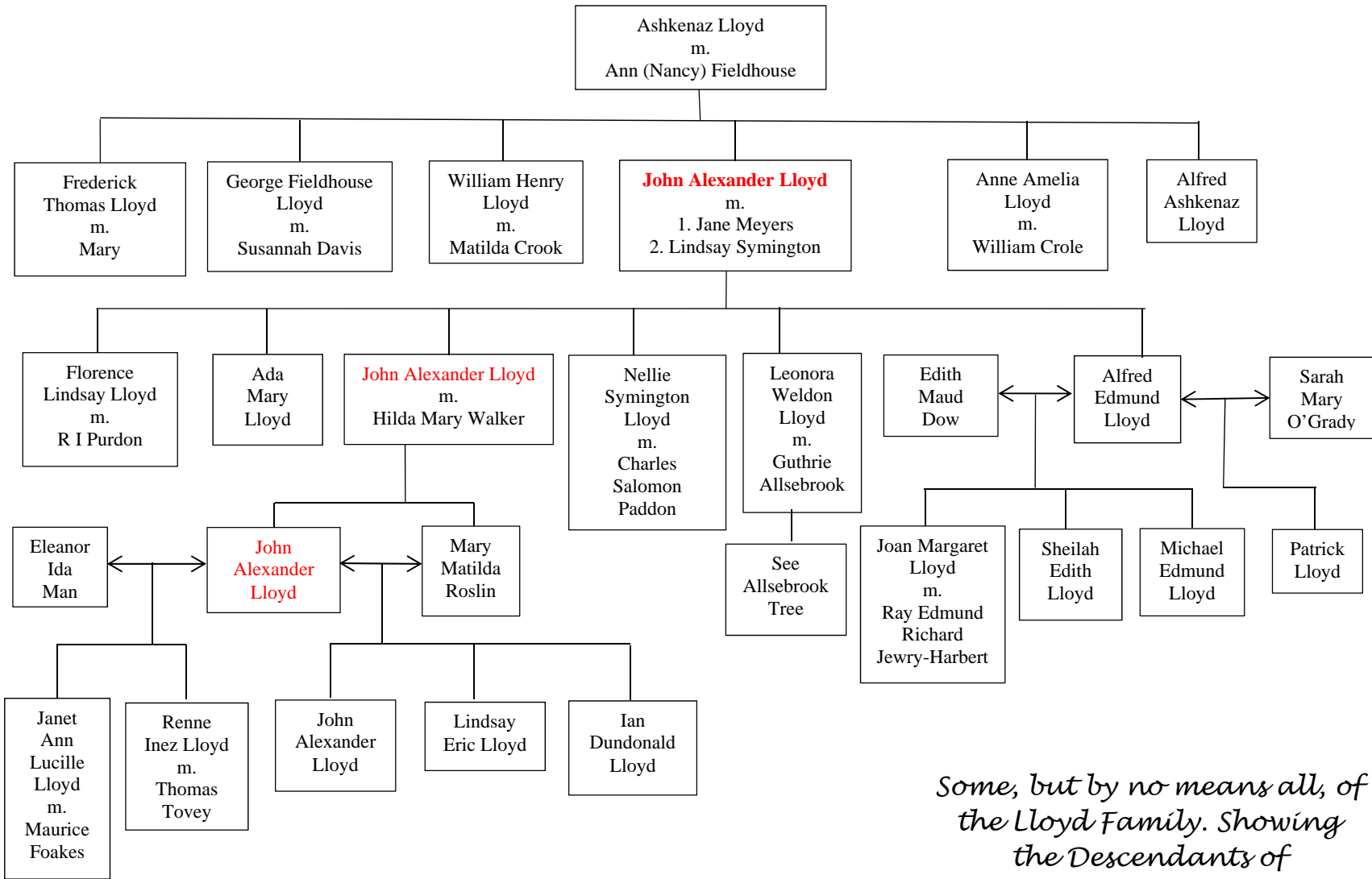


4/4/2016



*Some, but by no means all, of the Lloyd Family. Showing the Descendants of Frederick Thomas Lloyd and his brother William Henry Lloyd*

4/4/2016



*Some, but by no means all, of the Lloyd Family. Showing the Descendants of John Alexander Lloyd and his brother Alfred Edmund*

4/4/2016

## The Man-Lloyd-Allsebrook Connection

This section is intended to display the connection between the Lloyd family and the Allsebrook family and to provide some background details to the wedding held on 18<sup>th</sup> February 1939 at Arborfield church where Janet (Lloyd) Foakes was a bridesmaid.

In December 2015 I [David Man, the nephew of Eleanor (Man) Lloyd] was contacted by Annie Allsebrook, the daughter of John *Colin* Pole Allsebrook and the granddaughter of Guthrie Allsebrook who married Leonora Weldon Lloyd (see chart below).

Annie kindly sent me some passages written by Colin Allsebrook in a family memoir called 'Family Fables' including one on his 'Uncle Alec' [John Alexander Lloyd (1869 – 1939)] as follows:

“I remember him as a rather jovial person, - commuting by train daily to the A. Lloyd and Sons factory in Deptford, and living in his fine Surrey home with its outbuildings and lake, a chauffeur and several, maids. He had five children, - three boys and two girls. We used to spend very happy holidays there with them, - and as the family grew up-, the life-style was very reminiscent of a Wodehouse story! – with tennis parties and dances, and the older children each having a car. Uncle’s wedding was romantic: he fell in love with and married Hilda Mary Walker of Nottingham....She was a very pretty girl of 18 years, - but for the first month he did not tell his parents! I think they were very happy together and made home a happy place.”

Of their son John Alexander Lloyd (1908-1986) Colin Allsebrook wrote:

“...married Eleanor Mann, - a very pretty fair-haired girl who I always thought of as being like a Nordic Princess. She was a friend of Inez and we used to see her when she stayed at the Broom Park home for parties. She was of German origin but spoke unaccented English. They had two daughters but then divorced....”.

In 'Family Fables', Colin also wrote:

“An old photograph shows Field House, Deptford, London. In the first half of the 1800s it was the home of Mother’s forbears, the Lloyds. ... Certainly my uncles Alec [John Alexander Lloyd 1869 – 1939] and Edmund [Alfred Edmund Lloyd 1878 – 1953] were daily commuting to Deptford by the time they were grown-up and working in the firm. The family lived at several addresses at one time and another, all in the Croydon area, in places where there was lovely country, fine houses and gardens. [Below the two brothers Alec and Edmund]

4/4/2016



Alec [driving] and Edmund Lloyd in what is probably a De Dion-Bouton

“...I also think it was at the Manor House at Woodmansterne that she [Lindsay Symington] and her husband John Alexander Lloyd lived and bought up their children. Certainly they lived there at a later time but may have had other homes in that area before settling there.”

Below, a partial transcript of a letter dated 14<sup>th</sup> June 1973 from Inez (née Lloyd) to Mrs. Janet (Lloyd) Foakes.

My Dear Janet,

....

..... when we have a get together I'll tell you all I know about the Lloyds!

The Lloyds lived in the main house in Woodmansterne & when Patrick died of leukaemia aged 3½ the house was pulled down & another built on the sight [*sic*]. The old house was really beautiful with sweeping lawns & cedar trees. A tragic family – Michael also my cousin was killed in the war. Edith my aunt died of cancer & the second Mrs. Lloyd (aunt's nurse) is still alive – she was Irish.

.....

Dearest love to all

Aunt Inez

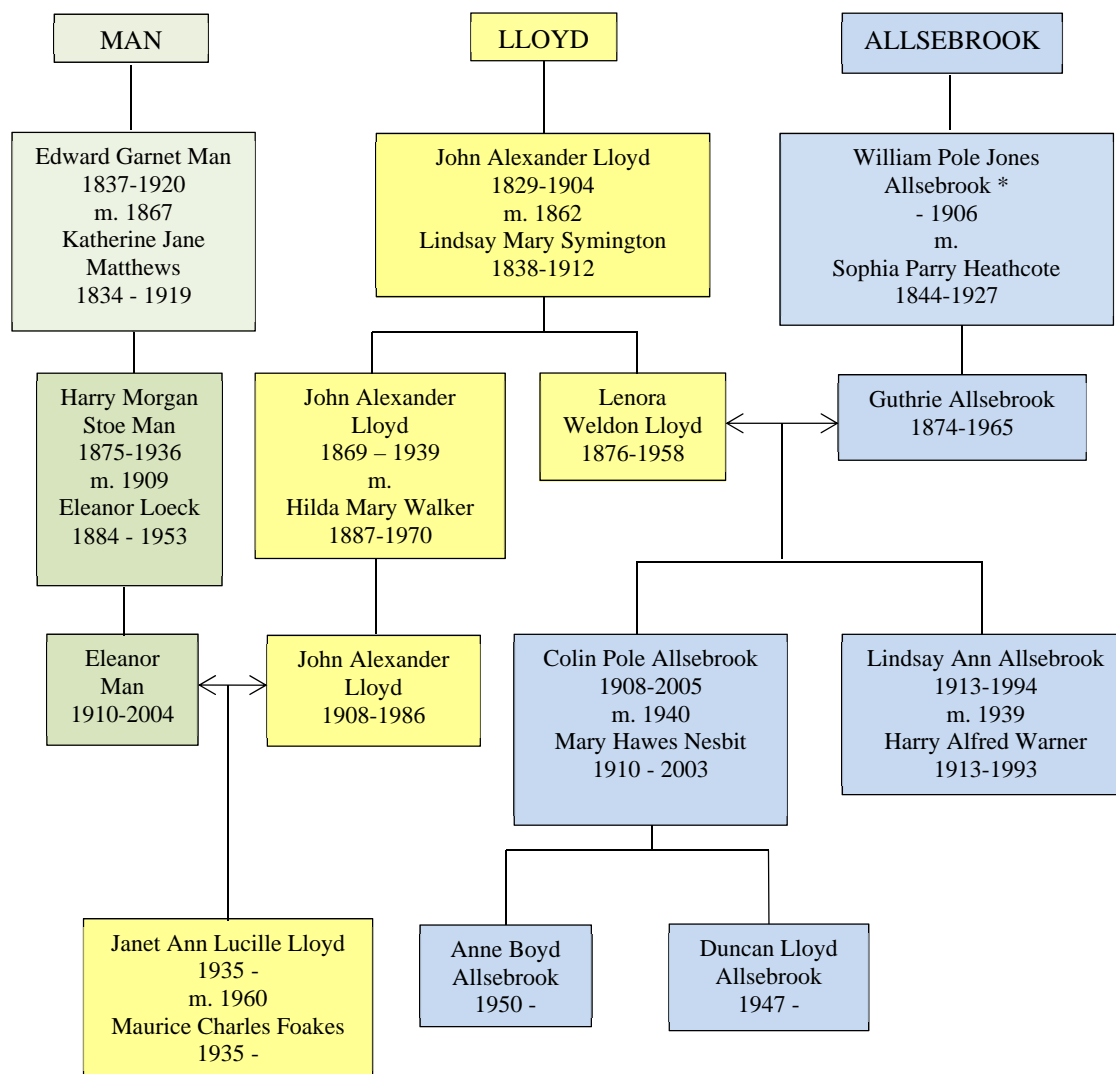
Inez Mary Lloyd was born on 1<sup>st</sup> August 1909 and was the sister of John A. Lloyd. She married Harold Waters (d. 1963). Her sister Nancy married Robert Douglas Glass on 4<sup>th</sup> February 1939.

Patrick Alexander Lloyd (see above) was the son of Alfred *Edmund* Lloyd and the second Mrs. Lloyd (Sarah Mary O'Grady). Patrick died on 2<sup>nd</sup> June 1935 age 3½. Sarah died March 1974.

Edmund's first wife, Edith (Maud Dow), (whom Inez refers to in her letter to Janet) died in 1928 and it was Sarah O'Grady who nursed her.

4/4/2016

Janet (Lloyd) Foakes and Annie Allsebrook are second cousins as can be seen from the chart below. Janet's father was the first cousin of Lindsay Ann Allsebrook who was the bride at Arborfield church.



\*William's sister Fanny was the mother of [Sir John Simon](#) (left) who was one of only three people to have served as Home Secretary, Foreign

4/4/2016

The newspaper cutting below and the following photograph were sent to me by Janet Foakes who asked me to clarify the relationship between herself and the bride to whom she was bridesmaid.

**MARRIED AT ARBORFIELD CHURCH**  
18.2.39

**Wedding Of Miss Anne Allsebrook**

**HER WORK FOR THE GUIDE MOVEMENT**

Considerable interest was aroused in the wedding at Arborfield Parish Church on Saturday of Miss Lindsay Anne Allsebrook, daughter of Mr. and Mrs. Guthrie Allsebrook, of Arborfield Hall, to Mr. Henry Alfred Warner, son of Mr. and Mrs. F. Warner, of Whitton, Ipswich, Canon J. A. Anderson officiated.

Miss Allsebrook is well known in Reading and the surrounding district. Keenly interested in the movement for furthering peace between nations, she was secretary of the Reading branch of the International Friendship League for a number of years. For the past four years she has been resident hostess at the annual holiday centre for young people of all nationalities, arranged by the Reading branch of the I.F.L., and has organised outings and social evenings for their entertainment. She is a keen hockey player and was a member of the Scarlet Runners Club, to which her mother belonged some years ago. Miss Allsebrook is also keen on tennis and swimming, and is a particularly enthusiastic motorist. She began her school life at the Abbey School, Reading, and later went to Wentworth, Bournemouth. She has been closely identified with the Girl Guide movement, for she has been Brownie, Guide and Ranger, and finally, for several years, Brown Owl to the Arborfield Brownies.

Mrs. Guthrie Allsebrook was for nineteen years County Guide Commissioner.

Mr. Guthrie Allsebrook gave away his daughter, who wore a gown of parchment and silver brocade, modelled on Empire lines. The high square neckline was finished with a Medici collar, and the long sleeves were squared at the shoulder, while the graceful skirt flowed from the waist at the back into a long train. The bride wore a veil of parchment tulle, interwoven with a silver thread and surmounted by a head-dress of flowers, and she carried a shower bouquet of lilies-of-the-valley and blue hyacinths.

She was attended by two matrons-of-honour—Mrs. Harry Bell (bridegroom's sister) and Mrs. Axeworthy—two bridesmaids, Miss Ruth Prescott and Miss Eileen Newcombe, and a little girl, Janet Lloyd, who is three-and-a-half-years-old and a cousin of the bride. The other attendants wore princess dresses of midnight blue cloqué, finely striped with silver. The long sleeves were puffed at the top and tight-fitting below, and the V necklines were decorated with clips. The skirts formed slight trains, and bandeaux of the same material formed the head-dresses. The little maid had a simple, high-waisted frock, with frills at the neck and short puff sleeves and again at the hem of the long skirt. She wore a ribbon in her hair and carried a Victorian posy of anemones to match those carried by the other attendants.

Mr. Rommie Willett, of Ipswich, was best man.

Mrs. Allsebrook held a reception at Arborfield Hall after the ceremony, and entertained guests from all parts of England.

Later Mr. and Mrs. H. A. Warner left on their honeymoon, which is being spent in Devon and Cornwall. The bride travelled in a dress of blue cloqué, with cyclamen silk introduced at the collar and waistband. Her navy coat was worn with a squirrel fur, and a navy pill-box hat trimmed with veiling completed the ensemble.



group after the wedding at Arborfield of Miss Lindsay Anne Allsebrook and Mr. H. A. Warner, of Ipswich.

Photo: K. N. Crowe, Reading.

4/4/2016

Above, despite it being the middle of February the wedding party does not look particularly chilled. Janet is the little girl in white holding a posy.

Another description of the wedding from *Times and Weekly News*:

February 24<sup>th</sup>1939: Arborfield Wedding: Warner – Allsebrook Miss Lindsay Anne Allsebrook, daughter of Mr. and Mrs. Guthrie Allsebrook, of Arborfield Hall, Arborfield, was married at St. Bartholomew's, Arborfield, on Saturday to Mr. Henry Alfred Warner, son of Mr. H. Warner, J. P., and Mrs. Warner, of Whitton, Ipswich. The service was conducted by Canon J. A. Anderson and the bride was given away by her father, Mr. G. Allsebrook, a prominent Reading business man.

The bride's gown was of empire design with prominent silver-metal brocade falling from the waist into a train. The back and sleeves were fastened with heart-shaped buttons and fastened with heart-shaped buttons and the square neck was finished with a Medici collar. The glowing parchment veil, edged with a silver thread, was caught round the head in an orange blossom coronet. She carried a bouquet of lilies of the valley and blue hyacinths.

She was attended by Mrs. Bell (sister of the bridegroom), Mrs. Axworthy, Miss Ruth Prescott, and Miss Eileen Newcombe. They wore midnight blue dresses with puff-top long, tight sleeves. The skirts were very full, slightly trailing at the back, and headdresses of the same material were finished with blue feathered birds. Little **Miss Janet Lloyd**, aged four, a cousin of the bride, wore a parchment georgette dress, with silver ribbon round a high waist. The bridal attendants carried Victorian posies of mixed anemones.

The best man was Mr. Ronald H. Willett, of Ipswich. A reception was held at the bride's home. The honeymoon is being spent in Devon and Cornwall. The bride travelled in a pale blue cloque dress, faced at the neck with cyclamen silk, and a navy trimmed brown squirrel coat.

On 1940 Lindsay (Allsebrook) Warner's brother - John *Colin* Pole Allsebrook - married Mary Hawes Nesbit and the following four images are of that wedding. Hilda (Walker) Lloyd, Janet (Lloyd) Foakes' grandmother, can be seen in the second image walking down the steps. Walking next to her is Alec Wilson, the best man, who introduced Colin to Mary. In the third image she faces the camera talking to Guthrie Allsebrook the father of the groom.





Below from: Arborfield Local History Society

Families: Guthrie Allsebrook and Family

Guthrie Allsebrook ran a specialist water-supply Company for many years from the Artesian Works in Crown Street in Reading (just to the south of London Street). He was born into a farming family in Wollaton, Nottinghamshire.

Sophia Parry Heathcote was the second wife of William Pole Jones. They had seven children: Arthur b 1872/73, Guthrie b 1874, Wilton, George Clarence, Eric, Alan, and Dorothy b 1884. His first wife was Letitia Harper, and they had three children: Mary b 1866, Fanny b 1897 and Robert b 1870.

By the 1881 census when Guthrie was 6, his father William Pole Jones Allsebrook, originally from Foxall in Staffordshire, farmed 297 acres and employed 10 men and 5 boys. His mother Sophia Perry (Heathcote) Allsebrook, originally from Chorlton-on-Medlock in Lancashire, had 6

4/4/2016

children living at home: Fanny<sup>1</sup>, aged 13, born in Little Bromwich in Warwickshire; Robert, aged 12, born in Bromsgrove in Worcestershire; Alan Pole, aged 10, from Wollaton; **Guthrie**, aged 6; George, aged 3; and Eric, aged 2. Living with them were a cowman, a carter, a ploughboy, a labourer, a cook and a housemaid. His father eventually took on the roles of land agent and valuer, and died in 1906 in his mid-70s.

On the 1891 census are: Wm T J Allsebrook (56) [Farmer and Valuer], his wife Sophia P Allsebrook (46), and children: Fanny H Allsebrook (23), Robt P Allsebrook (22), Arthur Allsebrook (18), **Guthrie** Allsebrook (16) [Engine and Machine Maker's Apprentice], Wilton Allsebrook (15), George C Allsebrook (13), Evie H Allsebrook (12), Allan P Allsebrook (10), Dorothy P Allsebrook (7), Alice Adcock (17). All children are born at Wollaton in Nottinghamshire. The servants are Mary J B Summer (18) Eliza A Charlton (15) Walter W Edwards (19), Sam E Deaman (17).

Administrative County of <u>Notto</u>		The undermentioned Houses are situate within the Boundaries of the										Page 4	
Civil Parish of <u>Wollaton</u>		Municipal Borough of <u>Wollaton</u>		Urban Sanitary District of <u>Wollaton</u>		Urban Sanitary District of <u>Wollaton</u>		Rural Sanitary District of <u>Wollaton</u>		Parliamentary Borough or Division of <u>Wollaton</u>		Ecclesiastical Parish or District of <u>Wollaton</u>	
1	2	3	4	5	6	7	8	9	10	11	12	13	14
No. of House	ROAD, STREET, etc. and No. or NAME of HOUSE	HOUSES	Number of Persons	NAME and Surname of each Person	RELATION to Head of Family	CON-DITION as to Marriage	AGE last Birthday	PROFESSION or OCCUPATION	Employed	WEEK BORN	(1) Deaf-and-Dumb	(2) Blind	(3) Lame, Paralytic or idiot
22	Shepherd's Wood	1		Henry Croop	Head	M	46	Gamekeeper	X	Lincoln, Fenton			
				Wm	Boys	M	16			Notto, Newark			
				Wm	Son	S	28	Farm Laborer	X	Notto, Retford			
				Wm	"	S	22	"	X	" Newark			
				Wm	"	S	18	Woodman	X	" "			
				Wm	"	S	14	Boys and boy Cart	X	" Retford			
				Sarah A.	Daughter	S	12	"		Notto, Newark			
				Kate	"	S	10	Scholar		Lincoln - Carlton - St. Maryland			
				Amie	"	S	8	"		Notto, Wollaton			
				Wm	Son	M	46	"		" Old Radford			
23	"	1		William Willey	Head	M	46	Lawyer	X	Notto, Wollaton			
				Sarah E.	Wife	M	46	"		Notto, Wollaton			
				Edw.	Daughter	S	18	Hosiery mender	X	Notto, Wollaton			
				Stephen	Son	S	14	Milk Seller	X	" "			
				Wm	Son	S	12	Farm boy	X	" "			
				Wm	Daughter	S	10	Scholar		" "			
24	Farm	1		Wm T J Allsebrook	Head	M	56	Farmer & Valuer	X	Stafford - Loxall			
				Sophia P.	Wife	M	46	"		Lincoln - Ghorlton - Medbeck			
				Fanny H.	Daughter	S	23	"	X	Warwickshire, Aston			
				Robt P.	Son	S	22	Farmer's Son	X	Worcester, Bromsgrove			
				Arthur	"	S	18	Scholar		Notto, Wollaton			
				Guthrie	"	S	16	Engine & Machine Maker's Apprentice	X	" "			
				Wilton	"	S	15	"		" "			
				George C.	"	S	13	"		" "			
				Evie H.	"	S	12	"		" "			
				Allan P.	"	S	10	"		" "			
				Dorothy P.	Daughter	S	7	"		" "			
				Alice Adcock	Servant	S	17	Mother's Help - Domes		" Kingston - on - Soar			
				Mary J B Summer	"	S	18	Housemaid		Notto, Wollaton			
				Eliza A Charlton	"	S	15	"		Notto, Wollaton			
				Walter W Edwards	"	S	19	Farm Servant	X	Worcestershire, Bromsgrove			
							18						
							73						

Guthrie and his wife Leonora Weldon (nee Lloyd) married in Croydon in about 1902. Below are two photographs of the wedding:

<sup>1</sup> The mother of Sir John Simon



The Allsebrooks bought [Arborfield Hall](#) in 1926.

4/4/2016



Aborfield Hall, Berkshire

Guthrie (aged 36) with wife (24) and son (3) on the 1911 census:

CENSUS OF ENGLAND AND WALES, 1911.											
NAME AND SEX		RELATIONSHIP TO HEAD	AGE	SEX	PARTICULARS AS TO MARRIAGE	PROFESSION OR OCCUPATION	EDUCATION	REMARKS	RESIDENCE	WEDDED	UNWEDDED
<p>Persons in this household who are married, widowed, divorced, or separated, should state in the column headed 'PARTICULARS AS TO MARRIAGE' the date of marriage, or the date of widowhood, or the date of divorce, or the date of separation, as the case may be.</p> <p>Persons who have been married, but whose marriages have since become void, should state in the column headed 'PARTICULARS AS TO MARRIAGE' the date of the annulment, or the date of the decree of nullity, as the case may be.</p> <p>Persons who have been married, but who are now living apart from their wives or husbands, should state in the column headed 'PARTICULARS AS TO MARRIAGE' the date of their separation, as the case may be.</p> <p>Persons who have been married, but who are now living with their wives or husbands as if they were still married, should state in the column headed 'PARTICULARS AS TO MARRIAGE' the date of their reconciliation, as the case may be.</p> <p>Persons who have been married, but who are now living with their wives or husbands as if they were still married, should state in the column headed 'PARTICULARS AS TO MARRIAGE' the date of their reconciliation, as the case may be.</p> <p>Persons who have been married, but who are now living with their wives or husbands as if they were still married, should state in the column headed 'PARTICULARS AS TO MARRIAGE' the date of their reconciliation, as the case may be.</p>											
Guthrie, John		Head	36	M	Married	Engineer	Elementary		Aborfield Hall, Berkshire		
Guthrie, Mary		Wife	24	F	Married				Aborfield Hall, Berkshire		
Guthrie, John		Son	3	M	Single				Aborfield Hall, Berkshire		
Allsebrook, John		Son-in-law	16	M	Single	General Services (Domestic)			Aborfield Hall, Berkshire		

By the 1930s the Allsebrooks were fully involved in village life, being founder members of the Village Hall Management Committee in 1932. Members of the family put on a pantomime at the Village Hall in January 1933. That year, a major project was completed to pump water from a 340-ft well below Arborfield Mill and store it in reservoirs at the top of a hill off Highland Avenue, Bearwood. The project, carried out for Wokingham R.D.C., culminated in an opening ceremony at the pumping station on 19th July 1933.

In October 1939, the 'Reading Mercury' featured the work of Guthrie Allsebrook and Co. in an article entitled 'How to increase crops - Rain when it's needed'.

Arborfield Hall was taken over for military use during WWII, and the Allsebrook family moved to Shinfield. The water-pumping business continued to prosper under Guthrie and his son Colin; Guthrie died on 30th December 1965, aged 91 at The Grove, Shinfield. His funeral was held at

4/4/2016

Arborfield Church January 4th 1966, and his Obituary appeared with identical wording in both the Reading Mercury of January 8th and the Reading Chronicle of January 7th.



An Allsebrook Water Pump

The business continues into the 21st Century but under the name 'Allsebrook Pump and Electrical Services Ltd.', operating from Stoke Row near Henley-on-Thames. The old company records have been deposited at the Museum of English Rural Life in Reading, and include a catalogue of pumps and pumping machinery dating from January 1912. Among its 92 pages are details of "artesian borings, tube wells, dug wells, water towers, reservoirs, tanks, mains, water wheels, hydraulic rams, wind engines filters, power units, boilers and sewage equipment".



Colin Allsebrook wrote a privately-published book entitled 'Water Wisdom' in 1993, which is the story of the family firm of Guthrie Allsebrook & Co Ltd. A review by the Pump Distributors' Association helpfully lists the main chapters, which cover a diverse range of subjects; Hydrogeology, Digging wells, Drilling Boreholes, Pumps, Pumping with air, Water power, Wind power, Containing and cleaning water, Sewage disposal, Irrigation, Displays and Fountains.

Obituary of Guthrie Allsebrook, from the *Reading Mercury*, 7th January 1966:

#### DEATH OF MR. GUTHRIE ALLSEBROOK

A man who was extremely well known and very popular throughout Reading and in the South of England, Mr. Guthrie Allsebrook, died at his home, The Grove, Shinfield, on Thursday last week. He was 91.

Born near Nottingham, he spent his first 21 years on his father's farm, and during this time developed a great love and understanding of country things. He completed a five-year apprenticeship with a Nottingham firm making engines, pumps and machinery for laundries and sugar-refineries.

In 1901, after travelling around the world installing machinery for various firms, he bought the old-established water-supply business of Edward Margrett at Reading, which then became "Margrett and Allsebrook". The business was later renamed "Guthrie Allsebrook and Co.", the name of the present firm. It is interesting to note that Mr. Allsebrook's death coincides with the centenary year of the original business – started in 1865.

4/4/2016

His long association with the water-supply business made him one of the foremost authorities on the subject in the South of England, and together with his son, Mr. Colin Allsebrook, he was the first to draw attention to the potential supplies of water in the Kennet Valley. Their suggestions began the plans for the Kennet Valley Water Scheme.



Mr. Allsebrook started up in business after an argument with his boss because he had worked too hard!

He was at the time working for a London engineering firm as assistant manager. The manager fell ill and Mr. Allsebrook worked like a trojan during his absence. The manager on his return accused Mr. Allsebrook of trying to steal his job and sacked him. With a loan from his father, Mr. Allsebrook bought a small well-boring firm, which has become the present-day firm of "Guthrie Allsebrook and Co."

Mr. Allsebrook was one of the first to join Reading Rotary Club and remained a member for 45 years. A mason, he was a member of the Kendrick Masonic Lodge.

The funeral service was held at Arborfield Church on Tuesday.

Below Leonora Weldon (Lloyd) Allsebrook's Red Cross WWI volunteer nurse's card:

Surname *Allsebrook* RSCD 7 MAY 1916  
 Christian Names *Leonora Weldon* (Mr., Mrs. or Miss)  
 Permanent Address: *Moortland*  
*Shinfield. Berks.*  
 Date of Engagement *Nov. 2nd 1916* Rank *cook* Pay —  
 Date of Termination *Feb. 24th 1919* Rank *cook* Pay —  
 Particulars of Duties *cooking house work Sulberlands*  
*at hospital Reading.*  
 Whether whole or part time, and if latter No. of hours served *802 hours*  
 Previous engagements under Joint War Committee, if any, and where  
*Reading*  
 Honours awarded *I have the Red Cross Lanyard, General Service*  
*London*

Below, Leonora's probate record:

**ALLSEBROOK** Leonora Weldon of The Grove Shinfield Reading  
 (wife of Guthrie Allsebrook) died 29 January 1958  
 Probate Oxford 11 June to the said Guthrie Allsebrook  
 and John Colin Pole Allsebrook engineers and Lindsay  
 Anne Warner (wife of Harry Alfred Warner).  
 Effects £25601 7s. 2d.

4/4/2016

## NOTES ON MARY NESBIT (HAWES) ALLSEBROOK (1910-1994)

Colin Allsebrook married Mary Nesbit Hawes. She was born on 25 August 1910 in Hanover, New Hampshire, USA, the daughter of Charles Henry and Harriet (Boyd) Hawes. She received her Bachelor's degree from Radcliffe College in 1933. Her earlier career in the United States included being a statistical researcher in bituminous coal in the National Recovery Administration, Washington DC, 1934-1935. She was a researcher at the International Labor Office, summer 1935. Mary became a junior economist and then junior legal assistant at the Consumer Project in the Department of Labor, 1935-1938.

In 1938 she left the US to become a roving correspondent for the *Washington Post* newspaper stationed in Central Europe. She met Guthrie Allsebrook in Czechoslovakia in 1938, and, after a romance largely conducted by mail, she travelled across the Atlantic in January 1940 to marry him.

Between 1942 and 1945 she was an advisor on food availability in Europe at the United States Embassy in London. She was a member of the executive and political committees of the United Nations Association, London, 1970s and 80s and a founder member and trustee the Oxford Project for Peace Studies, 1980-1994.

Books by Mary Nesbit (Hawes) Allsebrook:

*Born to Rebel: The Life of Harriet Boyd Hawes* [Harriet Boyd Hawes was Mary's mother and the first woman to lead an archaeological excavation in the Aegean.]

*Prototypes of Peacemaking: The First Forty Years of the United Nations*

\*\*\*\*\*

Biographical Note on Harriet Boyd Hawes the mother of Mary Nesbit (Hawes) Allsebrook.  
(From Smith College Archives)

Harriet Boyd Hawes was born on October 11, 1871 in Boston, Massachusetts. She was educated at the Prospect Hill School in Greenfield and graduated from Smith College in 1892 with a degree in classics. Hawes always felt a deep love for Greece and a strong desire to understand its culture and history. She studied at the American School at Athens from 1896-97 and the next year became a Fellow there. While in Greece, she learned that the Greeks (who were in the midst of the first Greco-Turkish War) had no nursing supplies and with support from the Queen of Greece soon became a nursing volunteer. Several years later she was decorated by the Queen for her contributions.

Hawes soon became well known not only for her volunteer work but also for her expertise in the field of archaeology. For four months in the spring of 1900, she led an excavation at Kavousi, Crete during which she discovered houses and tombs from the Geometric period (900 BC). During another excavation less than a year later in Gournia, Crete, she discovered a Mycenaean provincial town and later published a book along with her husband Charles Henry Hawes entitled, *Crete: the Forerunner of Greece*.

4/4/2016

Harriet accepted a position at Smith College teaching Greek archaeology in 1900 and received her M.A. from Smith in 1901. She taught at Smith until 1905 interspersing her time there with frequent trips abroad for archaeological excursions. During one trip to Crete, she met Charles Henry Hawes (1867-1943), an English anthropologist and archeologist who later became the associate director of the Boston Museum of Fine Arts. They were married on March 3, 1906 and nine months later their son, Alexander Boyd Hawes was born. A daughter, Mary Nesbit Hawes followed in August of 1910. By this time Charles was teaching at Dartmouth College and the family was living in Hanover, New Hampshire.

Despite her commitment to her family, Hawes remained active in both humanities and her field of archaeology. In 1910, Hawes received an honorary degree from Smith College. She traveled to Corfu in 1915 for a year to work extensively with the Serbian Army. In 1916, she helped the wounded in France and a year later she founded and was the first director of the Smith College Relief Unit in France. She held this title for three years during which time she worked as a nurse's aide at the YMCA.

In 1920, the Hawes moved to Cambridge MA and Harriet joined the faculty at Wellesley lecturing on Ancient Art. When Charles retired in 1936, the couple moved to Washington D.C. where Harriet remained after her husband died. She died on March 31, 1945.



Harriet Boyd Hawes

## **Water Wisdom**

Colin Allsebrook

Self-published, Oxford, 1993.

198pp. Pbk. £14.50.

This book draws on the author's experience from his long working life in the family firm Guthrie Allesbrook & Co. Ltd. Throughout its history of over 125 years this small firm has undertaken many successful water projects, often using ingenious ideas and inventions. Although most of the firm's work has been in the UK, the author was an advisor in the water field for both Oxfam and Intermediate Technology. He was a key member of ITDG's Water Panel over a long period, culminating in the publication of *Waterlines*.

The book is divided into 14 chapters. The initial chapters are on the water cycle and hydrogeology, the latter being a most useful guide to the location of underground water. The author is not convinced by the apparent magic of 'twig-twisting' divining; he believes in constant observation of local conditions, and meticulous records. The next two chapters provide case studies and practical advice on dug wells, driven tubewells, and boreholes.

There are six short chapters on pumps, outlining the different types of pumping methods with their applications, including air pumps, the hydraulic ram, and wind pumps. There are chapters on storing water and on basic water treatment, and a longer chapter on irrigation with three relevant appendices. The final chapter, entitled 'Water for fun', gives case studies on fountains and other ornamental water features. There is also a brief appendix on the history of the family firm with many interesting anecdotes on personalities and experiences.

This work is not intended as a textbook but 'to guide other workers with similar frugal finances and lack of access to sophisticated equipment to do successful water installations as we have done. Despite the extraordinary strides made in technology, there is still a place for basic water engineering.'

There is much to be learned from this book, not least by engineers.

4/4/2016

### Symington's Fruit Scheme 1903

An attempt is being made by Mr. W. Weldon Symington, Chairman of the firm of Messrs. Thomas Nash & Co. of Plymouth, to establish a trade in fruit between some of the Lesser Antilles and Great Britain.

The fruit is proposed to be shipped, in the first instance, once a fortnight by the steamers of the Royal Mail Steam Packet Company, the Directors having promised, if sufficient inducement offer, to give special storage for the fruit, and to keep it ventilated by means of fans, etc.

Mr. Symington is now actively engaged in making experimental shipments of such fruits as are available, and it is hoped that the results will justify an extension of the area already planted in oranges, pine-apples and bananas and lead to the establishment of an important fruit industry in some of these islands.

The following reports of meetings held in connexion with Mr. Symington's scheme show that a good deal of interest is being taken in it:—

ST. VINCENT.

A Public Meeting was held at the Court House, Kingstown, on January 29, his Honour the Administrator in the Chair.

Mr. W. Symington presented an outline of his scheme, and the following resolution was unanimously passed:—

Having heard the outlines of Mr. W. Weldon Symington's scheme for finding an assured market, a rapid transit, and for providing a cash purchase of fruits from this island, on delivery at suggested local depots :—

It is resolved. That this meeting representative of all classes of the community cordially desires to promote in every way his scheme and to further his efforts for the advantage of the colony and at the same time wishes success to the Royal Mail Steam Packet Company under their new management in their support of the scheme in furnishing the necessary carrying accommodation. (3.) And requests that Mr. Chamberlain be asked to facilitate Mr. Symington in carrying the scheme into practical effect.

(4.) This meeting further desires that copies of this resolution be forwarded to his Excellency the Governor for transmission to the Right Honorable the Secretary of State for the Colonies, the Royal Mail Steam Packet Company and to Messrs. Thomas Nash & Co. of Plymouth.

St. LUCIA.

A special meeting of the Agricultural Society was held at the Executive Chamber on February 6, his Excellency Sir R. Llewellyn, K.C.M.G., in the chair.

Mr. Symington explained the nature of his scheme, and after a general discussion the following resolution was adopted :—

That having heard the outlines of Mr. Weldon Symington's scheme for finding an assured market for the fruit grown in this island and for purchasing it for cash on delivery in local depots, we hereby declare our approval of his scheme and our firm desire to support it in every way. We would further add that the success of any such scheme depends chiefly on inducing the Royal Mail Steam Packet Company to provide proper carrying accommodation. In the event of the Imperial Government declining to provide the grant of £250 per annum for three years to meet

4/4/2016

the initiative local expenses, we think it might properly be borne by the local Government having regard to the undoubted benefits which will accrue to the island from the establishment of this scheme.

#### DOMINICA.

Mr. A. K. Agar, Hon. Secretary of the Dominica. Agricultural Society writes, that at a Special General Meeting of the Society held on February 13, Mr. W. V. Symington gave an outline of his proposed fruit scheme. The meeting was very largely attended and a keen general discussion followed Mr. Symington's speech, particularly the question of the guarantees. Finally the following resolution was passed unanimously to be sent to the Secretary of State for the Colonies, the Royal Mail Steam Packet Company and Messrs. Thos. Hash & Co. of Plymouth

Resolved. That the Dominica. Agricultural Society do pledge itself to give all reasonable support to Mr. Symington's

Further, that in the event of Mr. Symington giving guarantees ensuring that the magnitude of his operations in Dominica will warrant such a course, this Society do express the earnest wish that the Imperial Government will, through the Department of Agriculture, grant to Mr. Symington such financial assistance as he now asks for.

#### TRINIDAD.

At a meeting of the Agricultural Society, held on March 10, his Excellency Sir A. Moloney, K.C.M.G., Governor of the colony in the chair, the following resolution was passed :—

(1.) This Society having had explained by himself the scheme of Mr. W. Weldon Symington, for promoting a fruit trade between this and other West Indian Islands and the United Kingdom, records its approval thereof as well as its intention to support it in every way it can.

(2.) That a copy of this resolution be forwarded to the Government for transmission to the Secretary of State for the Colonies, the Royal Mail Steam Packet Company and Messrs. Thomas Nash Jr Co., of Plymouth.

#### CURING ORANGES.

The great importance of good packing has been often dwelt upon in the Agricultural News with reference to West Indian fruit. Oranges are very liable to reach the market in poor condition unless they have been thoroughly well packed, and amongst the factors which contribute largely to the success or failure of a shipment of oranges is the 'curing' or as it is sometimes termed the 'hardening' of the fruit.

This subject was well dealt with by Mr. J. H. Hart at the second West Indian Agricultural Conference (West Indian. Bulletin Vol. 1, p. 301). He said: 'No fruit should ever be packed when freshly gathered . . . Oranges should be picked at least three or four days before packing, and laid out in single layers until all the moisture, or what is known as the "sweat" of the fruit has disappeared. To pack fruit when wet or damp is to court certain failure.'

Very similar advice is given in the Journal of the Agricultural Society of Jamaica for February, quoted from the Florida Fruit Farmer. It is there clearly explained that by the curing process the rind becomes slightly hardened and consequently less liable to bruising. One important point overlooked in the article referred to is the part played by fungi in causing the decay of fruit. It is suggested 'that it is the oxygen of the air penetrating into the little cracks and abrasions of the rind that cause decay.' Of more importance are the fungi which gain admittance through cracks and bruises. The real object in curing fruit is to obtain a dry rind on which the fungi cannot readily live, and a tough resistant skin, which not being readily pierced prevents these fungi obtaining access to the interior of the fruit.